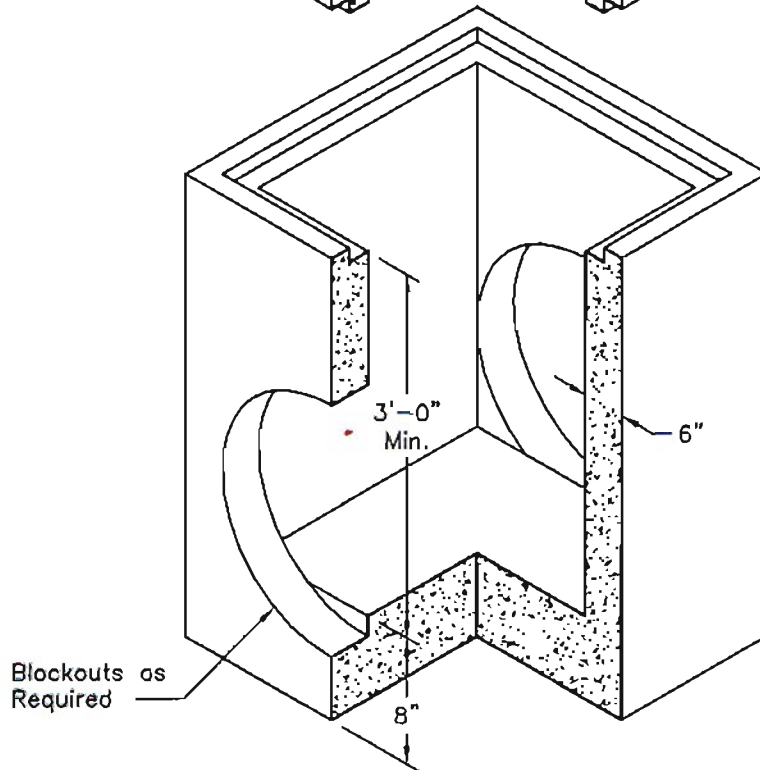


3'x3' Top



3'x3' Bottom

SCALE: NONE



1100 Heritage Parkway, Mansfield, Texas 76063  
Phone: 817.453.1054 Fax: 817.453.4007

**TXDOT-MH-TYPE 2**

FILE NAME: 260DMMTXDOT-MH-TYPE2\_F.dwg

ISSUE DATE: January, 2003

[www.oldcastleprecast.com](http://www.oldcastleprecast.com)

**3'-0" x 3'-0" I.D.  
Type "2" Manhole  
TxDOT**

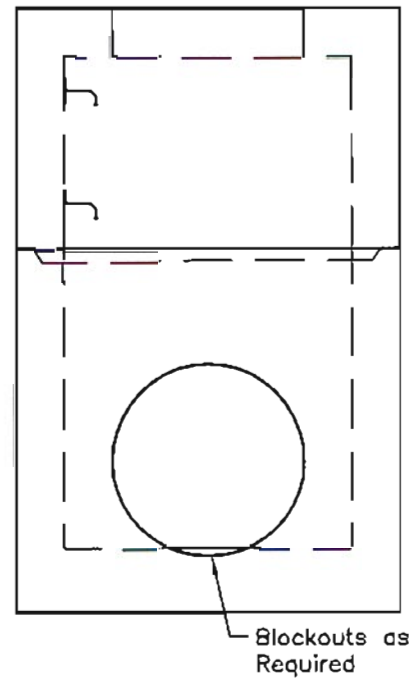
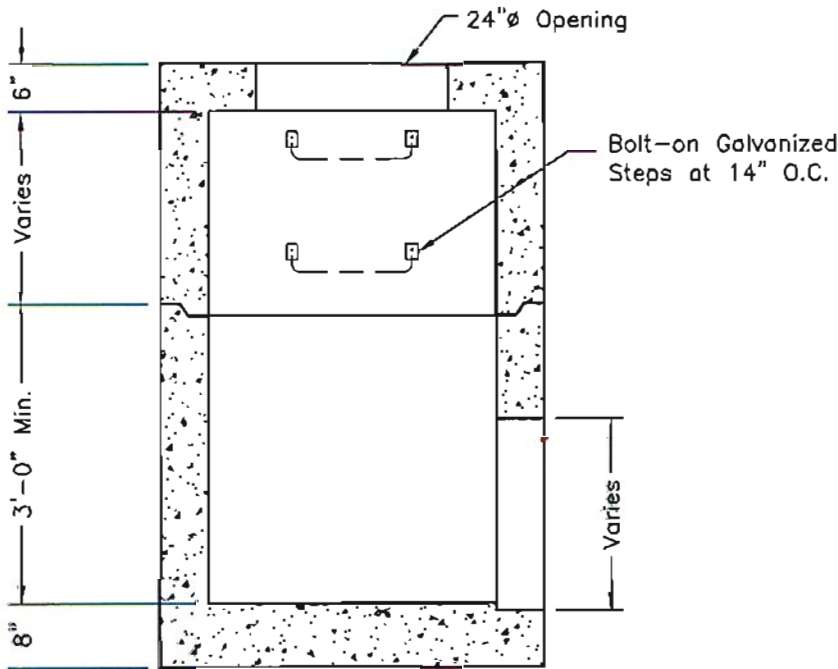
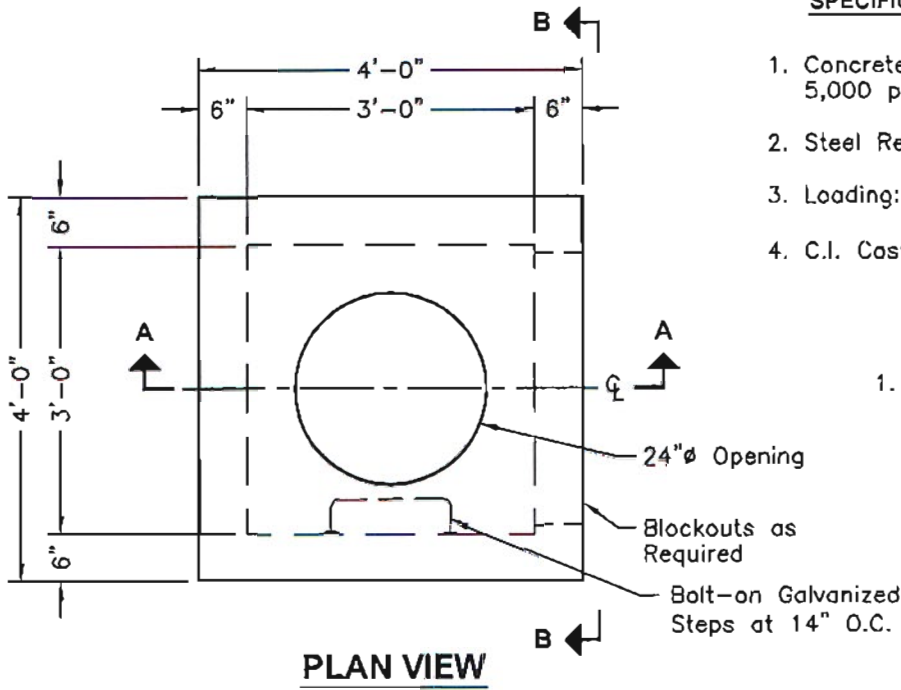
Copyright © 2002 Oldcastle Precast, Inc.

**SPECIFICATIONS:**

1. Concrete: Has a Design Strength of 5,000 psi at 28 Days.
2. Steel Reinforcement: ASTM A-615, Grade 60.
3. Loading: Designed for H2O Loading.
4. C.I. Castings: ASTMA-48, Class 30/35.

**GENERAL NOTES:**

1. 24"Ø Ring & Cover Available.



SCALE: 1/2" = 1'-0"



1100 Heritage Parkway, Mansfield, Texas 76063  
Phone: 817.453.1054 Fax: 817.453.4007

**TXDOT-MH-TYPE 2**

FILE NAME: 260DMMTXDOT-MH-TYPE2\_B.dwg

ISSUE DATE: January, 2003

[www.oldcastleprecast.com](http://www.oldcastleprecast.com)

**3'-0" x 3'-0" I.D.  
Type "2" Manhole  
TxDOT**

Copyright © 2002 Oldcastle Precast, Inc.