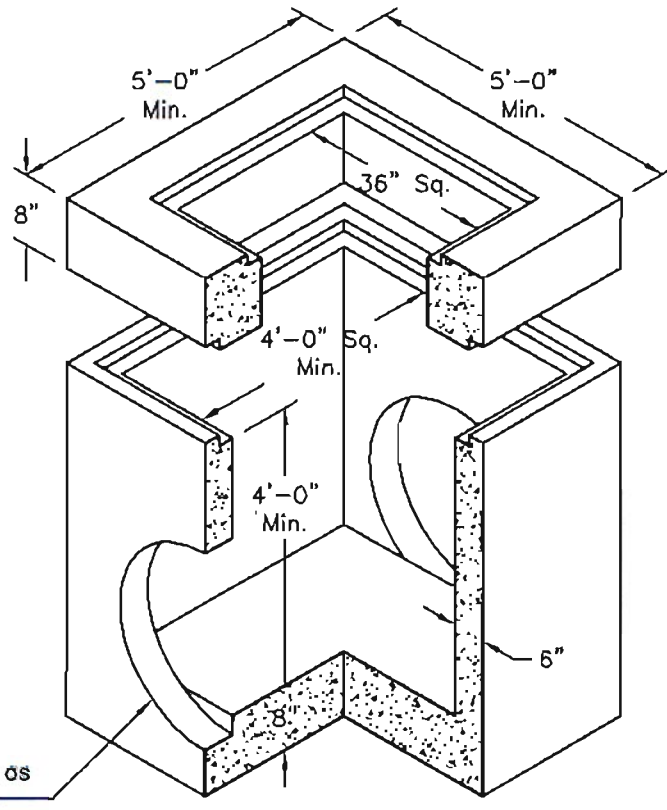


3'x3' Riser



Roof Slab

Bottom

SCALE: NONE



1100 Heritage Parkway, Mansfield, Texas 76063
Phone: 817.453.1054 Fax: 817.453.4007

TXDOT-MH-TYPE 1

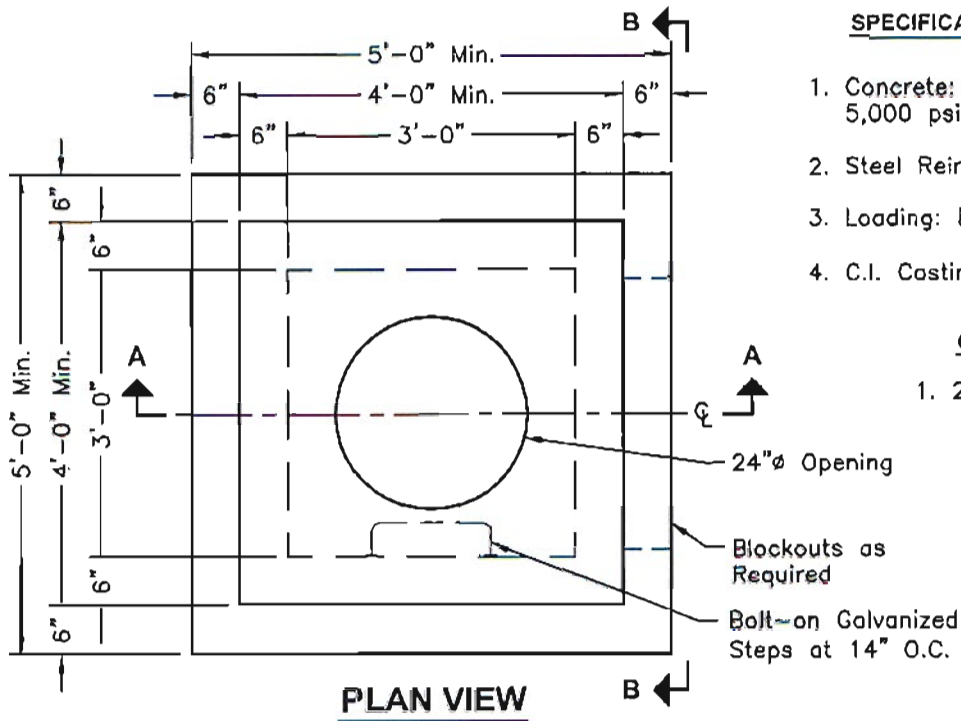
FILE NAME: 260DMMTXDOT-MH-TYPE1_F.dwg

ISSUE DATE: January, 2003

www.oldcastleprecast.com

**Type "1" Manhole
TxDOT**

Copyright © 2002 Oldcastle Precast, Inc.

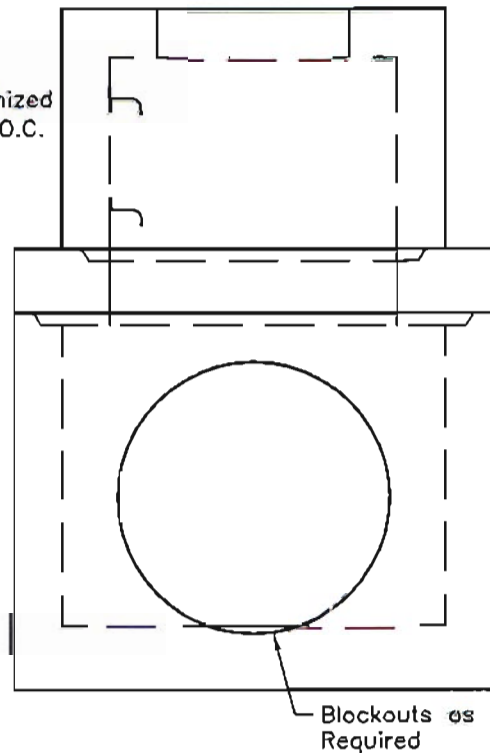
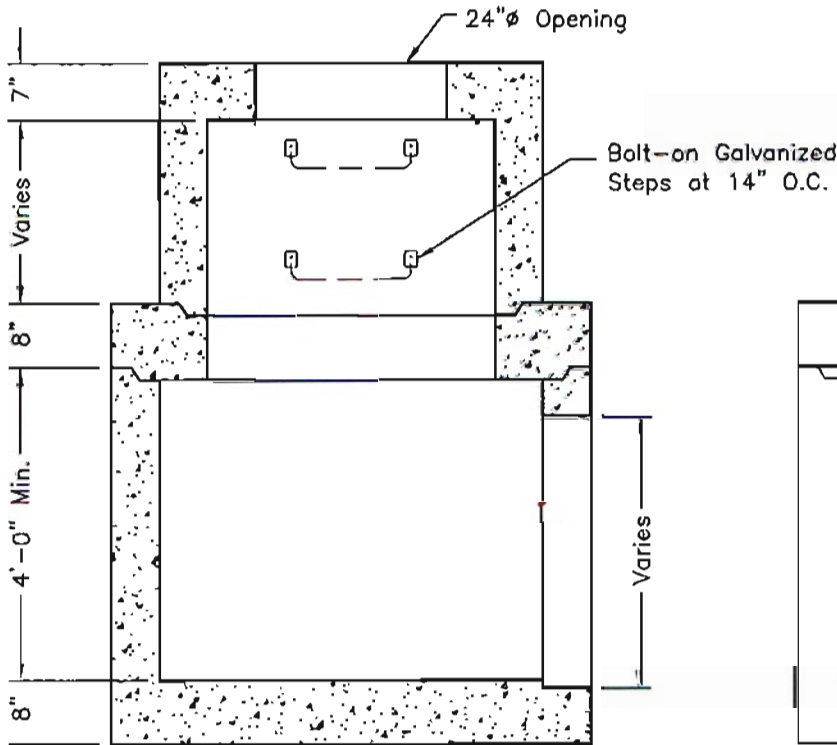


SPECIFICATIONS:

1. Concrete: Has a Design Strength of 5,000 psi at 28 Days.
2. Steel Reinforcement: ASTM A-615, Grade 60.
3. Loading: Designed for H20 Loading.
4. C.I. Castings: ASTMA-48, Class 30/35.

GENERAL NOTES:

1. 24"Ø Ring & Cover Available.



SCALE: 1/2"=1'-0"



1100 Heritage Parkway, Mansfield, Texas 76063
Phone: 817.453.1054 Fax: 817.453.4007

TxDOT-MH-TYPE 1

FILE NAME: 260DMMTXDOT-MH-TYPE1_B.dwg

ISSUE DATE: January, 2003

www.oldcastleprecast.com

**Type "1" Manhole
TxDOT**

Copyright © 2002 Oldcastle Precast, Inc.