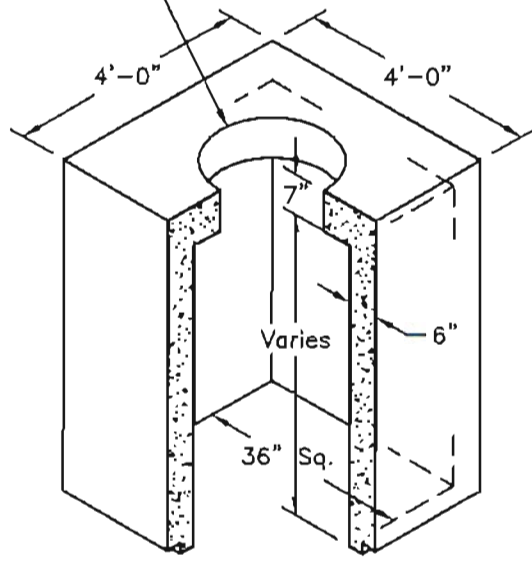
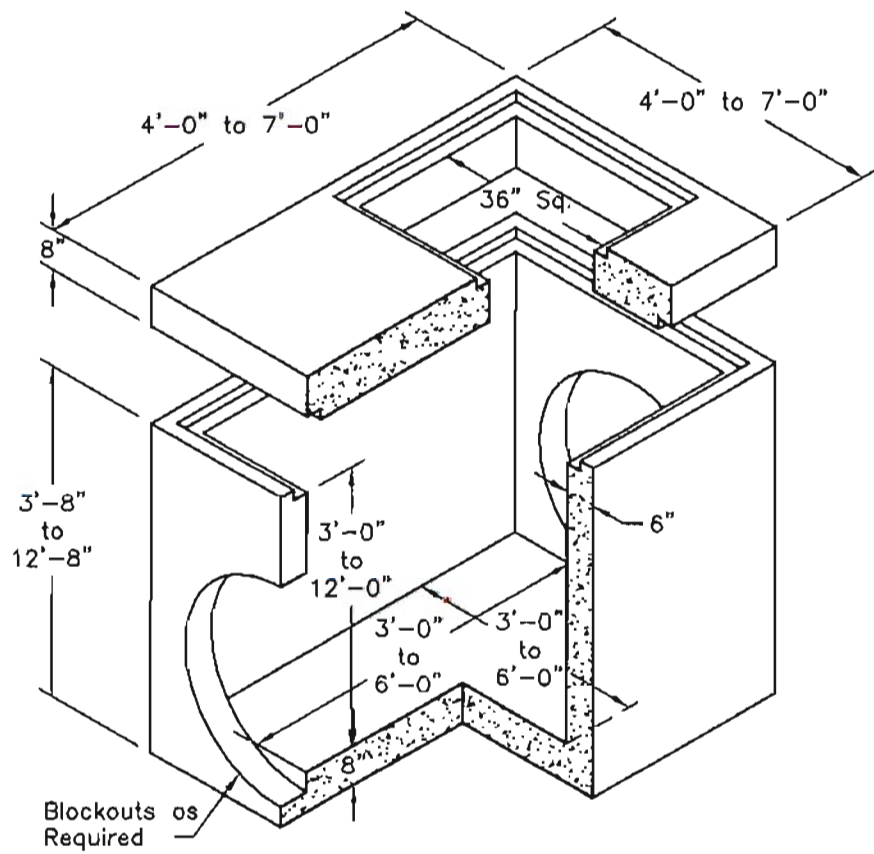


24"Ø Opening



3'x3' Riser



Roof Slab

Bottom

SCALE: NONE



TXDOT-MH-TYPE M

FILE NAME: 260DMMTXDOT-MH-TYPEM_F.dwg

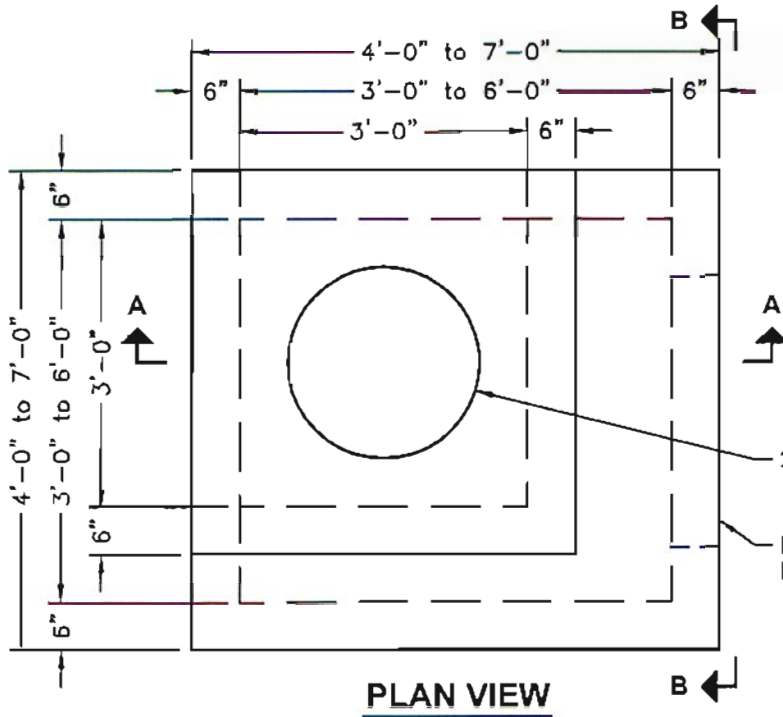
ISSUE DATE: January, 2003

www.oldcastleprecast.com

**Type "M" Manhole
TxDOT**

1100 Heritage Parkway, Mansfield, Texas 76083
Phone: 817.453.1054 Fax: 817.453.4007

Copyright © 2002 Oldcastle Precast, Inc



SPECIFICATIONS:

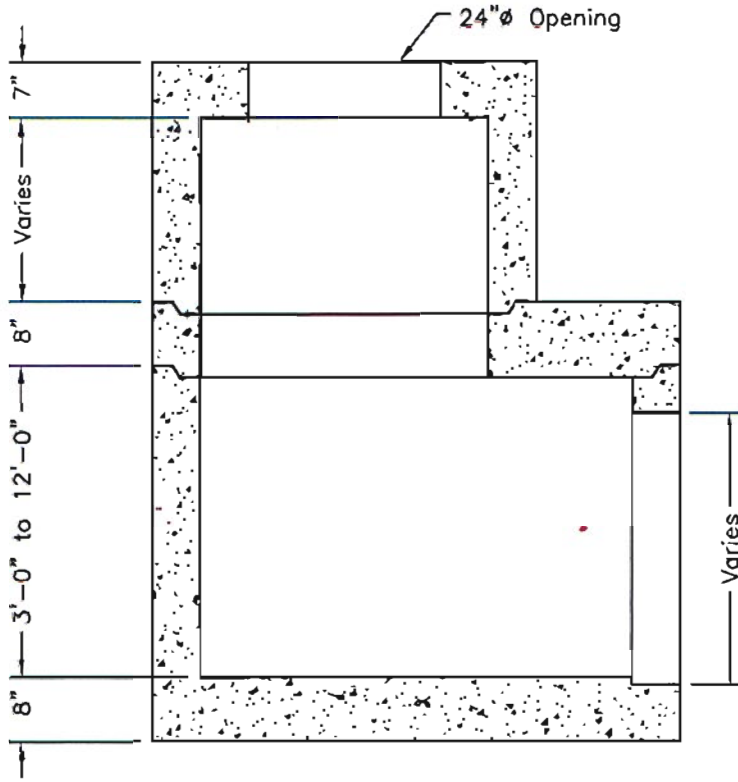
1. Concrete: Has a Design Strength of 5,000 psi at 28 Days.
2. Steel Reinforcement: ASTM A-615, Grade 60.
3. Loading: Designed for H20 Loading.
4. C.I. Castings: ASTMA-48, Class 30/35.

GENERAL NOTES:

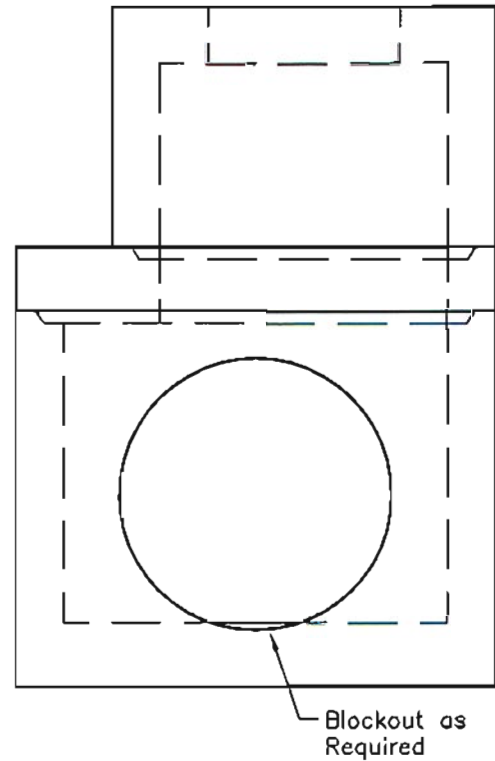
1. 24"Ø Ring & Cover Available.

24"Ø Opening
Blockout as Required

PLAN VIEW



SECTION A-A



ELEVATION B-B

SCALE: 1/2"=1'-0"



1100 Heritage Parkway, Mansfield, Texas 76063
Phone: 817.453.1054 Fax: 817.453.4007

TXDOT-MH-TYPE M

FILE NAME: 260DMMTXDOT-MH-TYPEM_B.dwg

ISSUE DATE: January, 2003

www.oldcastleprecast.com

**Type "M" Manhole
TxDOT**

Copyright © 2002 Oldcastle Precast, Inc.