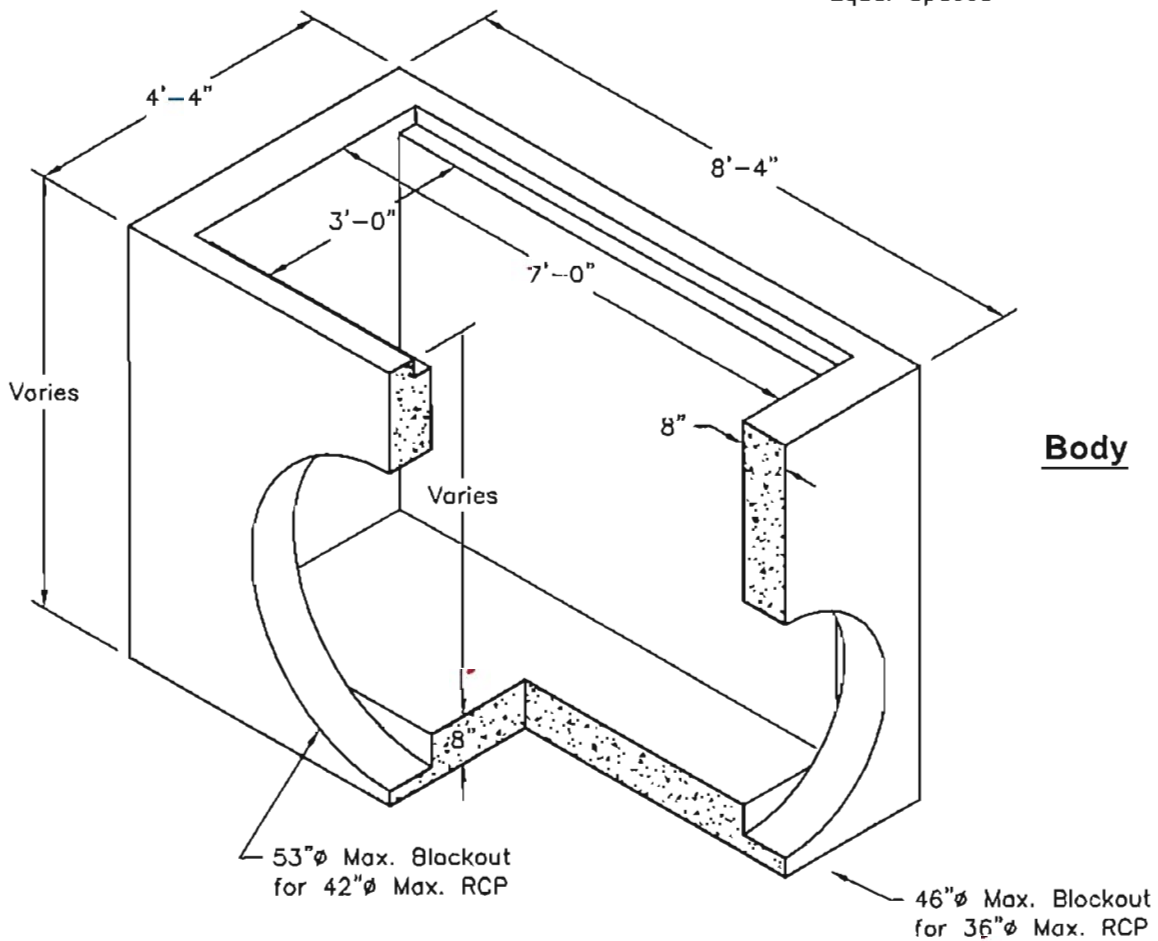


**(2) Grate**

Weight - 200 Lbs  
Item# - 7206355

3" x 3" x 1/2"  
Angle Iron

2 1/2" x 2 1/2" x 1/2"  
Flats  
Equal Spaced



**Body**

SCALE: 3/8" = 1'-0"



1100 Heritage Parkway, Mansfield, Texas 76063  
Phone: 817.453.1054 Fax: 817.453.4007

**TXDOT-GI-TYPE I-2**

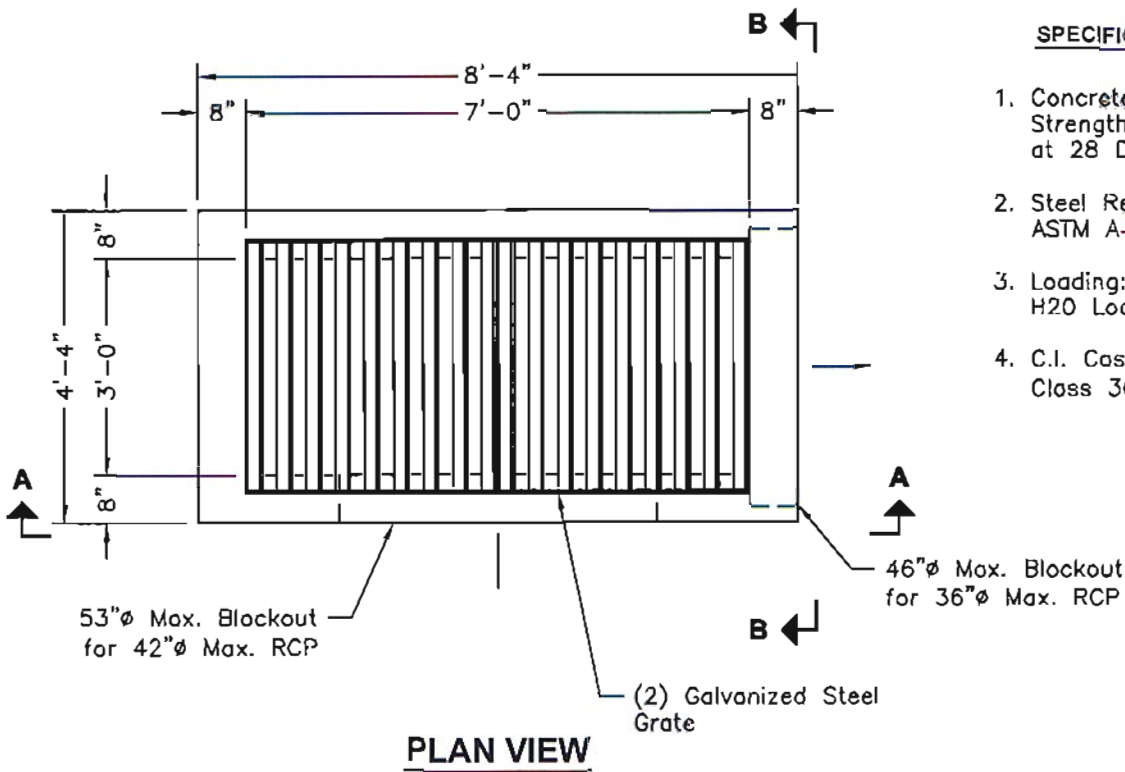
FILE NAME: 260DISTXDOT-GI-TYPEI-2\_F.dwg

ISSUE DATE: January, 2003

[www.oldcastleprecast.com](http://www.oldcastleprecast.com)

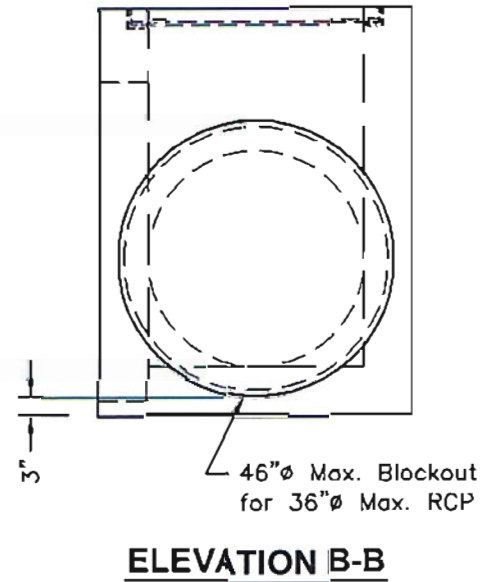
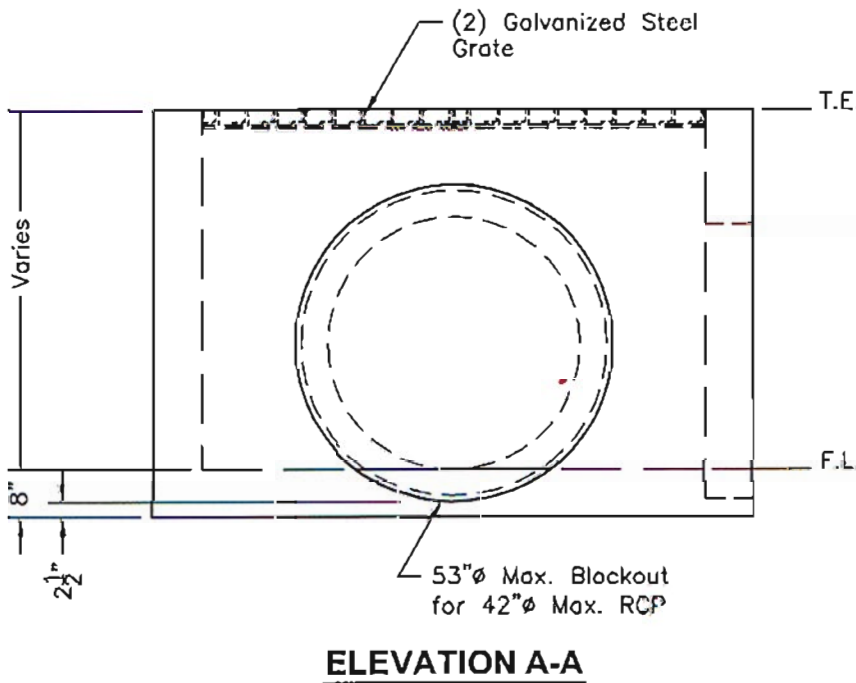
**3'-0" x 7'-0" x Varies I.D.  
Type "I" - 2 Grate Inlet  
TXDOT**

Copyright © 2003 Oldcastle Precast, Inc.



**SPECIFICATIONS:**

1. Concrete; Has a Design Strength of 5,000 psi at 28 Days.
2. Steel Reinforcement; ASTM A-615, Grade 60.
3. Loading; Designed for H20 Loading.
4. C.I. Castings: ASTMA-48, Class 30/35.



SCALE: 3/8" = 1'-0"



**TXDOT-GI-TYPE I-2**

FILE NAME: 260DISTXDOT-GI-TYPEI-2\_B.dwg

ISSUE DATE: January, 2003

[www.oldcastleprecast.com](http://www.oldcastleprecast.com)

**3'-0" x 7'-0" x Varies I.D.  
 Type "I" - 2 Grate Inlet  
 TxDOT**

Copyright © 2003 Oldcastle Precast, Inc.

1100 Heritage Parkway, Mansfield, Texas 76083  
 Phone: 817.453.1054 Fax: 817.453.4007