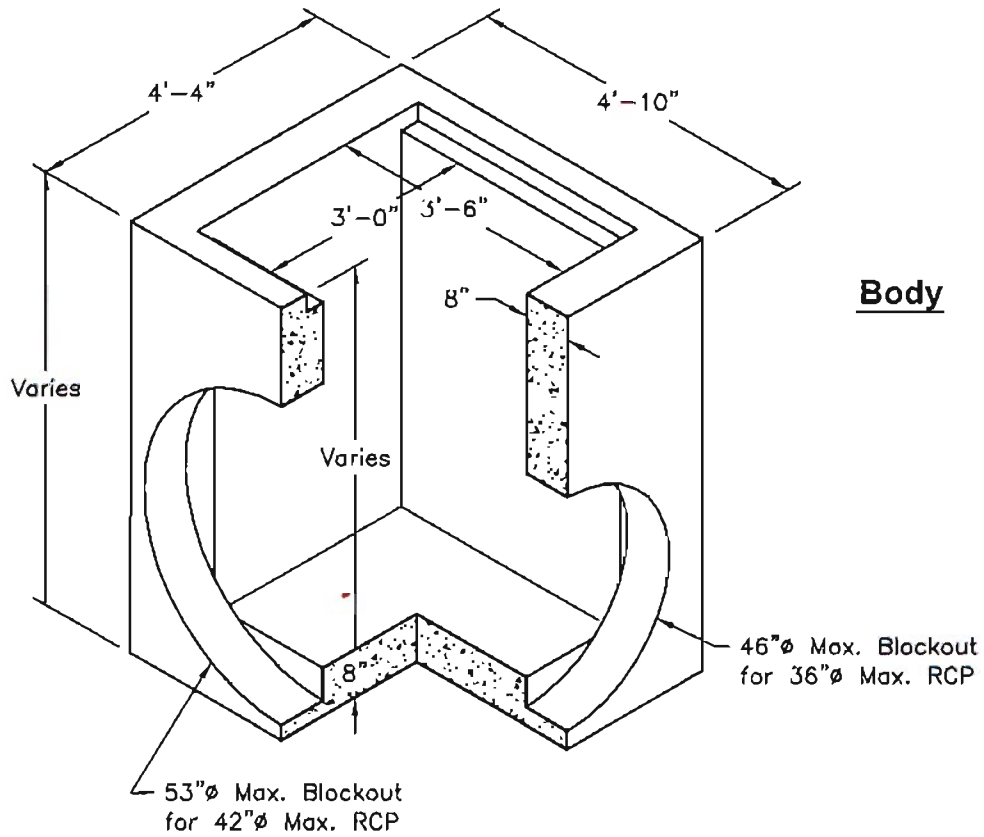


Grate

Weight - 200 Lbs
Item# - 7206355



Body

SCALE: 3/8"=1'-0"



1100 Heritage Parkway, Mansfield, Texas 76083
Phone: 817.453.1054 Fax: 817.453.4007

TXDOT-GI-TYPE I-1

FILE NAME: 260DISTXDOT-GI-TYPEI-1_F.dwg

ISSUE DATE: January, 2003

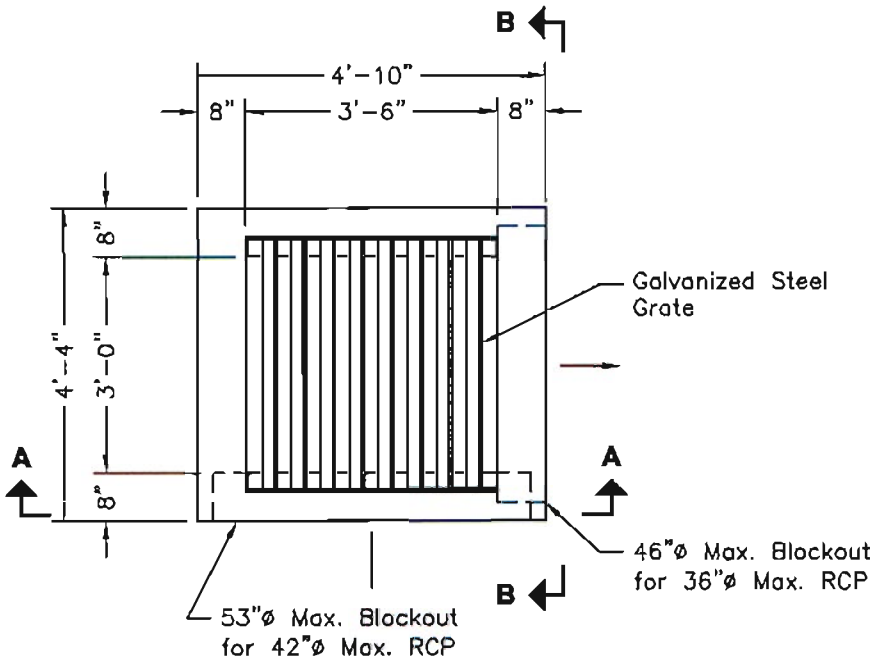
www.oldcastleprecast.com

**3'-0" x 3'-6" x Varies I.D.
Type "I" - 1 Grate Inlet
TXDOT**

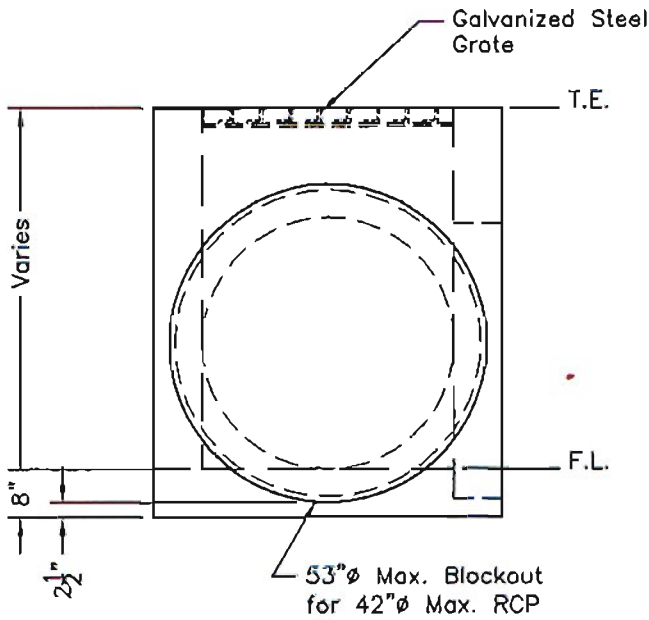
Copyright © 2003 Oldcastle Precast, Inc.

SPECIFICATIONS:

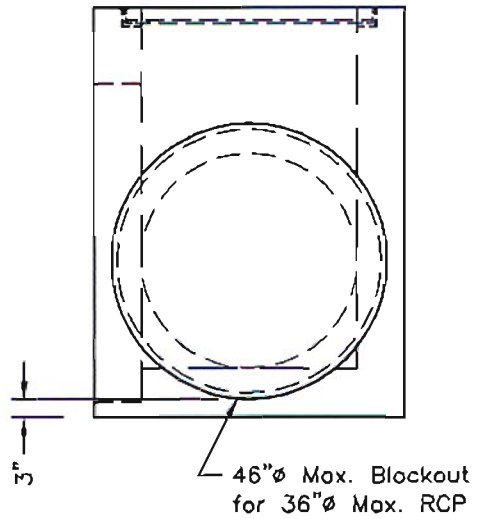
1. Concrete: Has a Design Strength of 5,000 psi at 28 Days.
2. Steel Reinforcement: ASTM A-615, Grade 60.
3. Loading: Designed for H2O Loading.
4. C.I. Castings: ASTMA-48, Class 30/35.



PLAN VIEW



ELEVATION A-A



ELEVATION B-B

SCALE: 3/8"=1'-0"



1100 Heritage Parkway, Mansfield, Texas 76063
Phone: 817.453.1054 Fax: 817.453.4007

TXDOT-GI-TYPE I-1

FILE NAME: 260DISTXDOT-GI-TYPEI-1_8.dwg

ISSUE DATE: January, 2003

www.oldcastleprecast.com

**3'-0" x 3'-6" x Varies I.D.
Type "I" - 1 Grate Inlet
TxDOT**

Copyright © 2003 Oldcastle Precast, Inc.