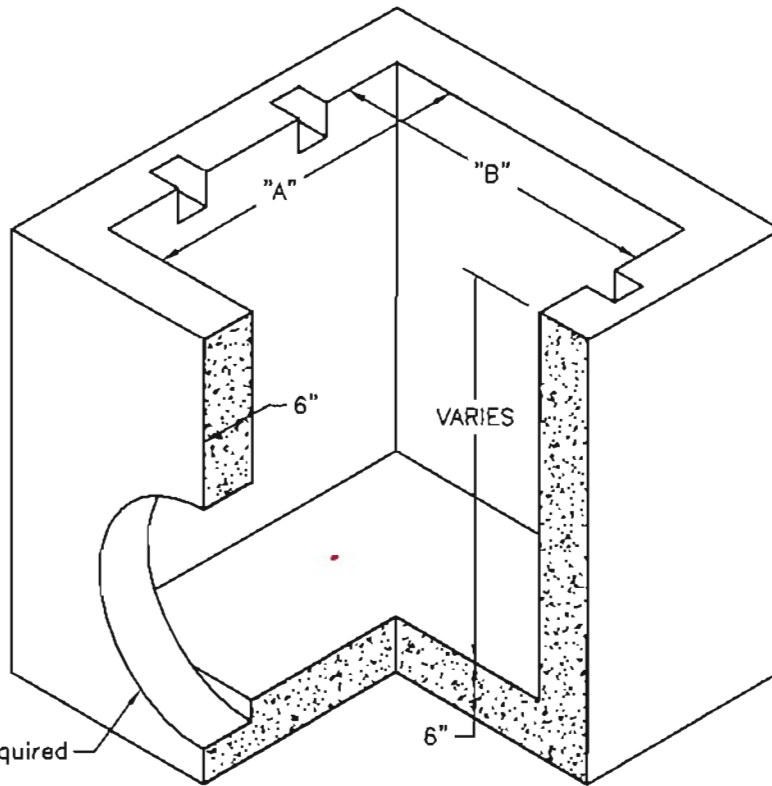


H-Grate

See Table



Body

See Table

Blockouts as Required

SCALE: NONE



1100 Heritage Parkway, Mansfield, Texas 76083
 Phone: 817.453.1054 Fax: 817.453.4007

TXDOT-GI-TYPE H

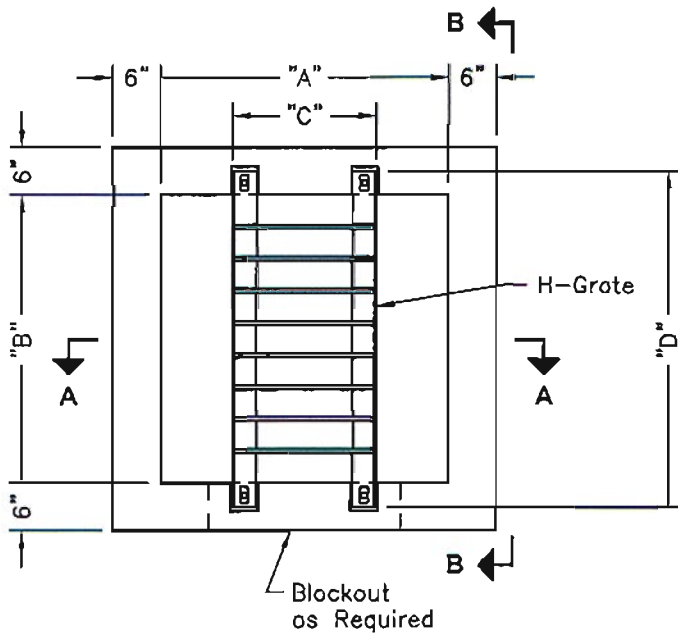
FILE NAME: 260DISTXDOT-GI-TYPEH_F.dwg

ISSUE DATE: January, 2003

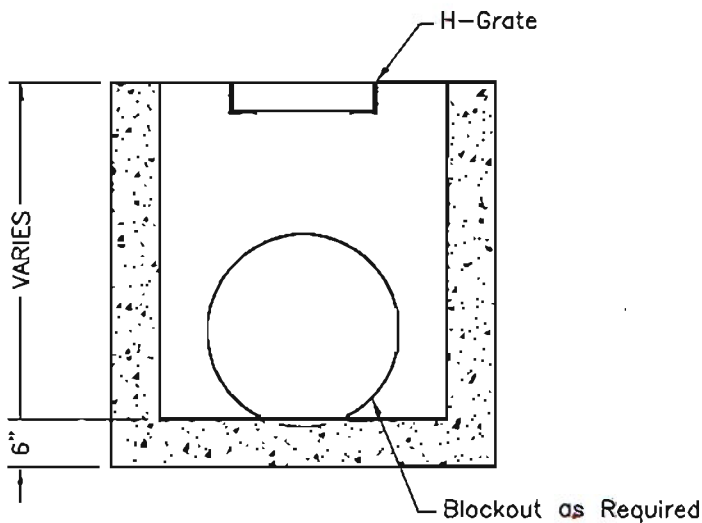
www.oldcastleprecast.com

**Type "H" Grate Inlet
 TxDOT**

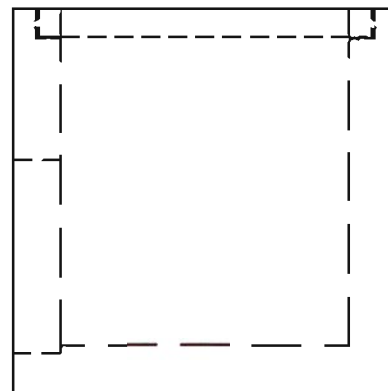
Copyright © 2002 Oldcastle Precast, Inc.



PLAN VIEW



SECTION A-A



ELEVATION B-B

SPECIFICATIONS:

1. Concrete: Has a Design Strength of 5,000 psi at 28 Days.
2. Steel Reinforcement: ASTM A-615, Grade 60.
3. Loading: Designed for H2O Loading.
4. C.I. Castings: ASTMA-48, Class 30/35.

GENERAL NOTES:

1. Different Height of Bodies are Available by Request.

Body			
A	B	C	D
36"	36"	18.5"	42"
36"	60"	18.5"	66"
48"	48"	30.5"	54"
60"	60"	42.5"	66"

SCALE: 1/2"=1'-0"



1100 Heritage Parkway, Mansfield, Texas 76063
Phone: 817.453.1054 Fax: 817.453.4007

TXDOT-GI-TYPE H

FILE NAME: 260DISTXDOT-GI-TYPEH_B.dwg

ISSUE DATE: January, 2003

www.oldcastleprecast.com

**Type "H" Grate Inlet
TxDOT**

Copyright © 2002 Oldcastle Precast, Inc.