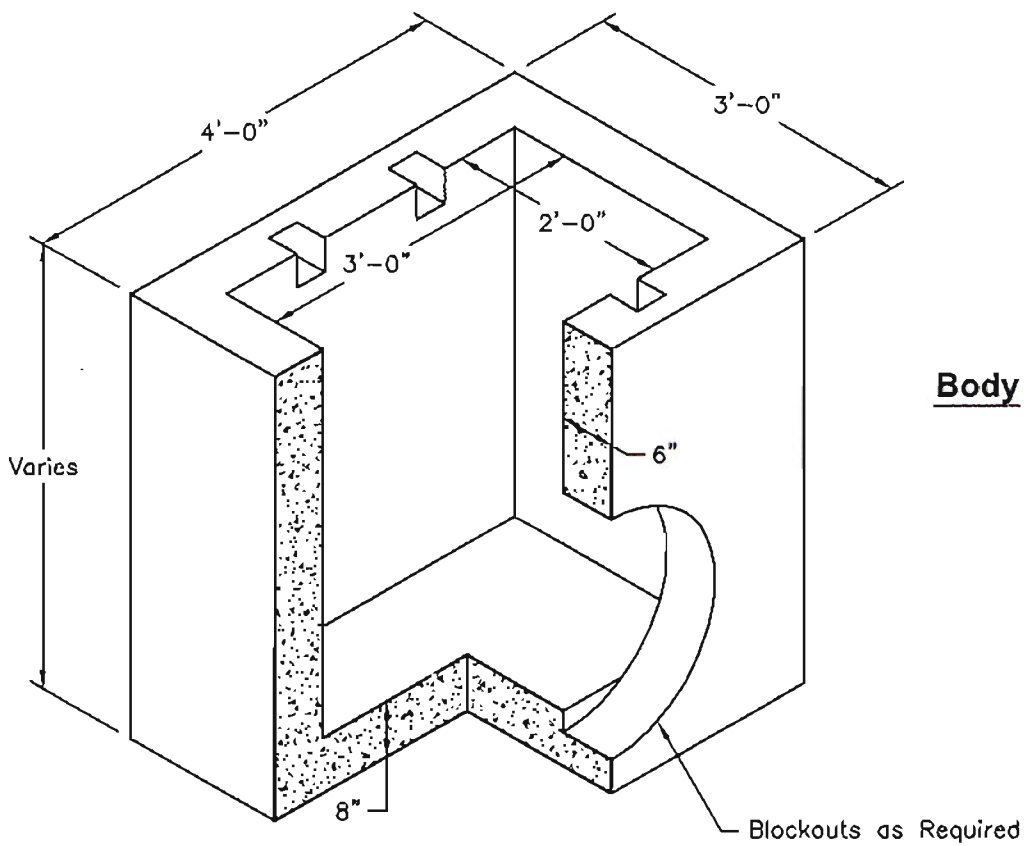


Grate

Weight - 100 Lbs.
Item# - 7203050



Body

SCALE: NONE



1100 Heritage Parkway, Mansfield, Texas 76063
Phone: 817.453.1054 Fax: 817.453.4007

TXDOT-GI-TYPE C-1

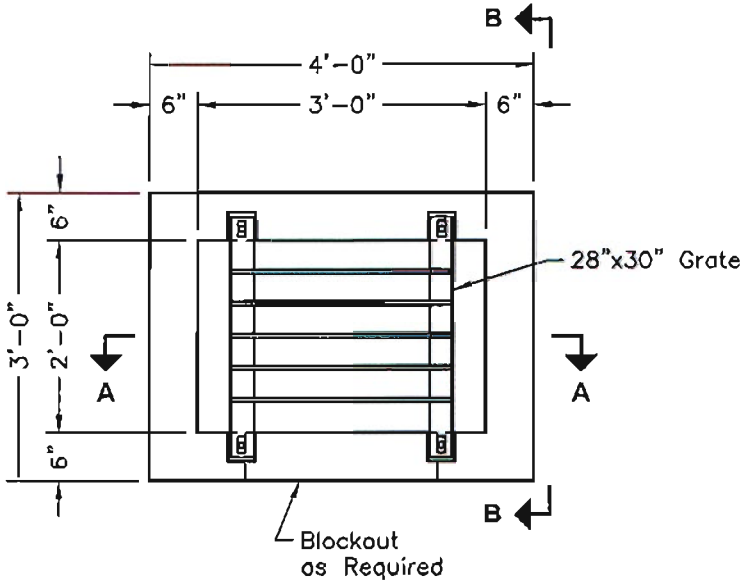
FILE NAME: 260DISTXDOT-GI-TYPEC-1_F.dwg

ISSUE DATE: January, 2003

www.oldcastleprecast.com

2'-0" x 3'-0" I.D.
Type "C" - 1 Grate Inlet
TXDOT

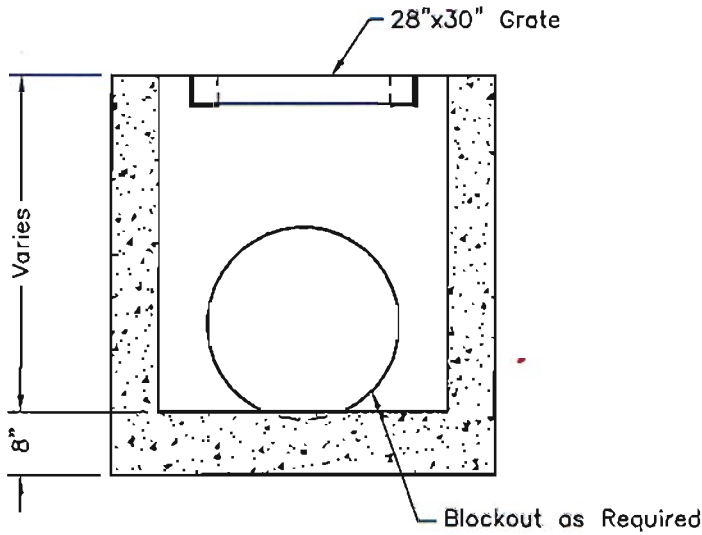
Copyright © 2002 Oldcastle Precast, Inc.



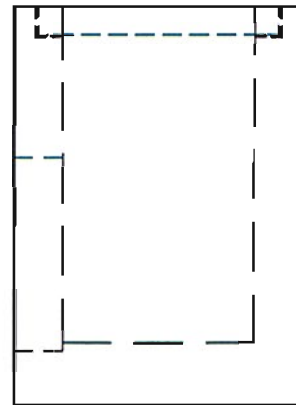
PLAN VIEW

SPECIFICATIONS:

1. Concrete: Has a Design Strength of 5,000 psi at 28 Days.
2. Steel Reinforcement: ASTM A-615, Grade 60.
3. Loading: Designed for H2O Loading.
4. C.I. Castings: ASTMA-48, Class 30/35.



SECTION A-A



ELEVATION B-B

SCALE: 1/2" = 1'-0"



1100 Heritage Parkway, Mansfield, Texas 76063
Phone: 817.453.1054 Fax: 817.453.4007

TXDOT-GI-TYPE C-1

FILE NAME: 260DISTXDOT-GI-TYPEC-1_B.dwg

ISSUE DATE: January, 2003

www.oldcastleprecast.com

**2'-0" x 3'-0" I.D.
Type "C" - 1 Grate Inlet
TxDOT**

Copyright © 2002 Oldcastle Precast, Inc.