

SCALE: 1/2"=1'-0"



1100 Heritage Parkway, Mansfield, Texas 76083
 Phone: 817.453.1054 Fax: 817.453.4007

TXDOT-GI-TYPE C-3

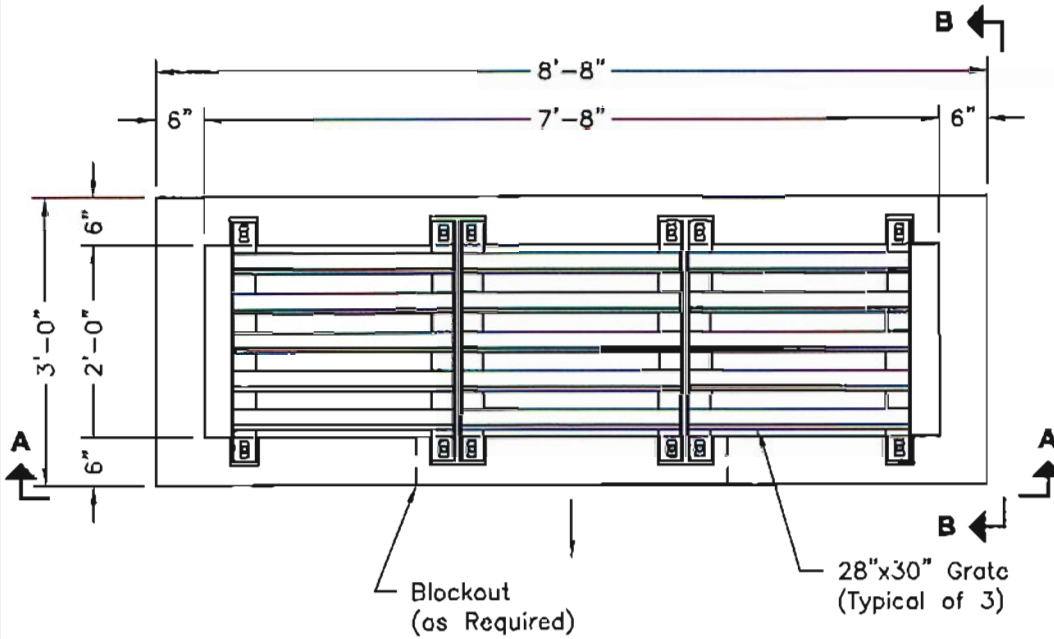
FILE NAME: 260DISTXDOT-GI-TYPEC-3_F.dwg

ISSUE DATE: January, 2003

www.oldcastleprecast.com

**2'-0" x 7'-8" x Varies I.D.
 Type "C" - 3 Grate Inlet
 TXDOT**

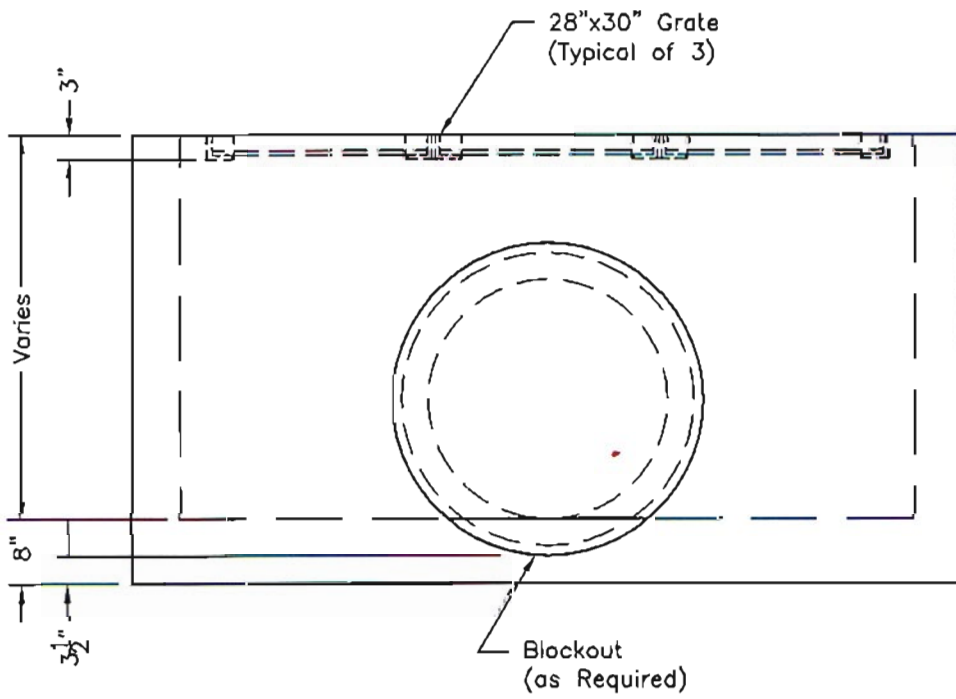
Copyright © 2003 Oldcastle Precast, Inc.



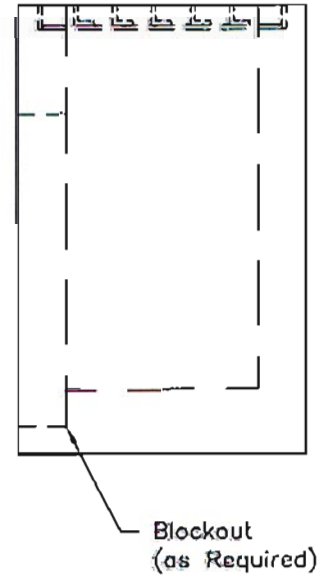
PLAN VIEW

SPECIFICATIONS:

1. Concrete: Has a Design Strength of 5,000 psi at 28 Days.
2. Steel Reinforcement: ASTM A-615, Grade 60.
3. Loading: Designed for H20 Loading.
4. C.I. Castings: ASTMA-48, Class 30/35.



ELEVATION A-A



ELEVATION B-B

SCALE: 1/2" = 1'-0"



1100 Heritage Parkway, Mansfield, Texas 76083
Phone: 817.453.1054 Fax: 817.453.4007

TXDOT-GI-TYPE C-3

FILE NAME: 260DISTXDOT-GI-TYPEC-3_B.dwg

ISSUE DATE: January, 2003

www.oldcastleprecast.com

**2'-0" x 7'-8" x Varies I.D.
Type "C" - 3 Grate Inlet
TxDOT**

Copyright © 2003 Oldcastle Process, Inc.