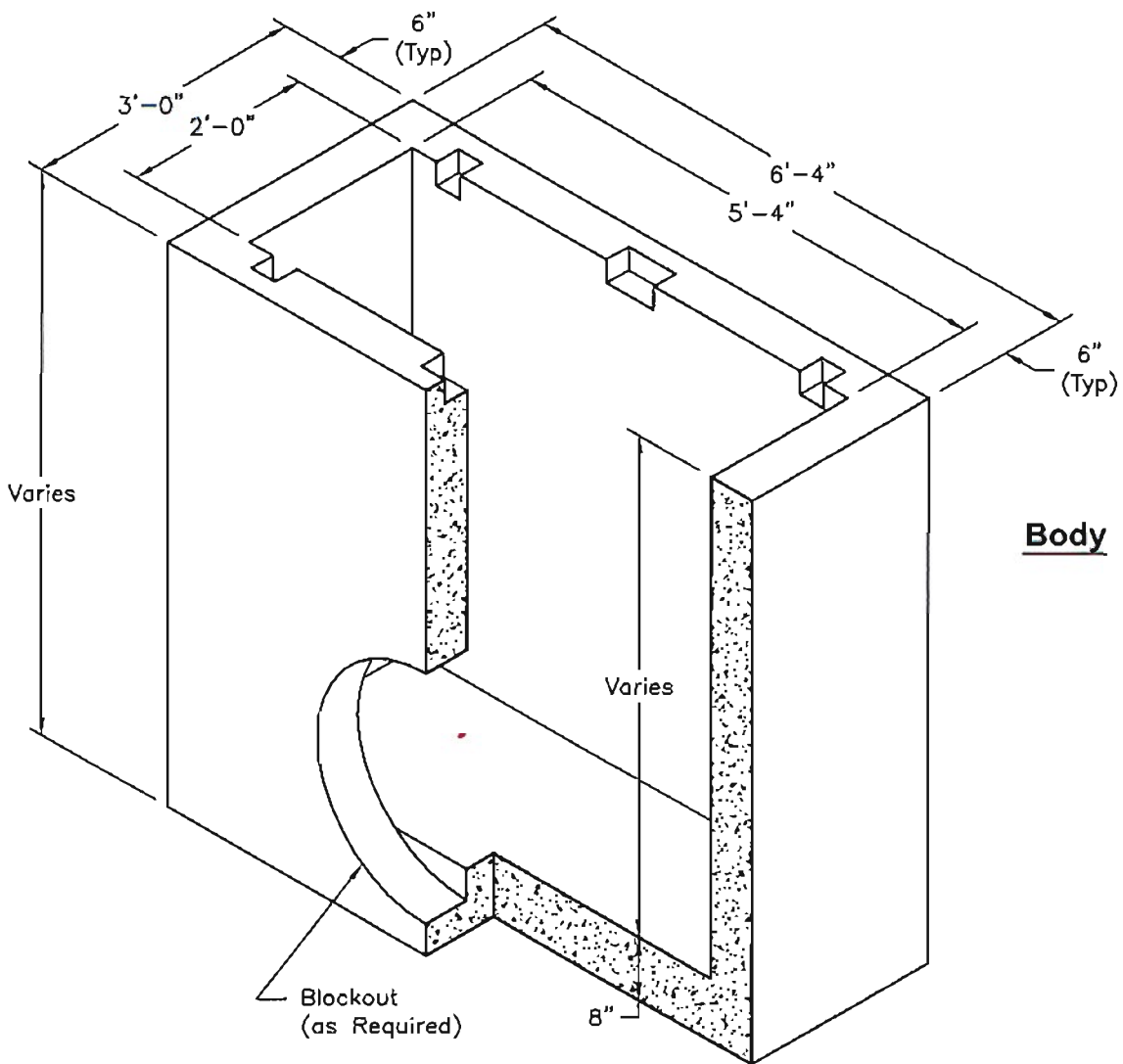


(2) Grate

Weight - 100 Lbs
Item# - 7203050



SCALE: 1/2"=1'-0"



1100 Heritage Parkway, Mansfield, Texas 76063
Phone: 817.453.1054 Fax: 817.453.4007

TXDOT-GI-TYPE C-2

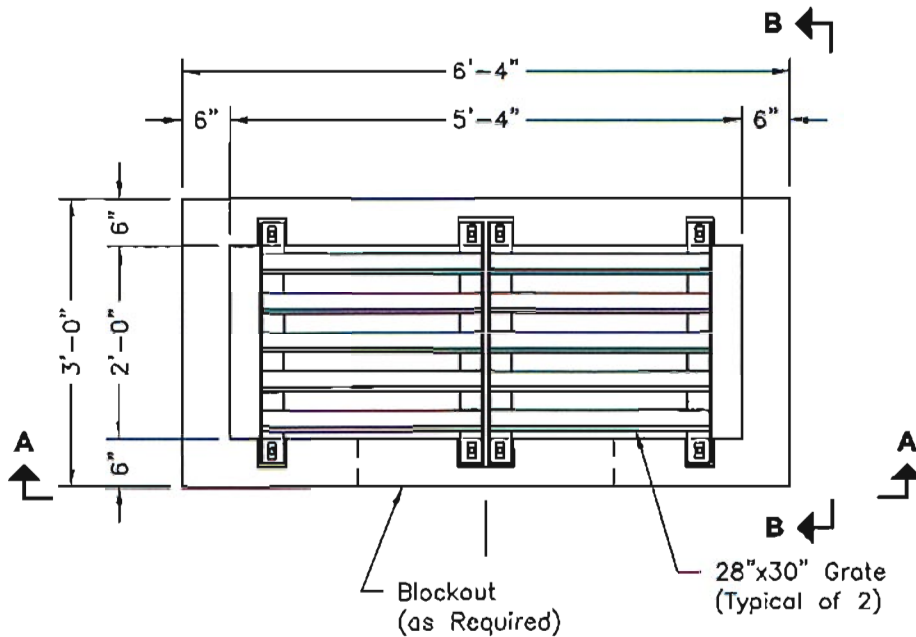
FILE NAME: 260DISTXDOT-GI-TYPEC-2_F.dwg

ISSUE DATE: January, 2003

www.oldcastleprecast.com

**2'-0" x 5'-4" x Varies I.D.
Type "C" - 2 Grate Inlet
TXDOT**

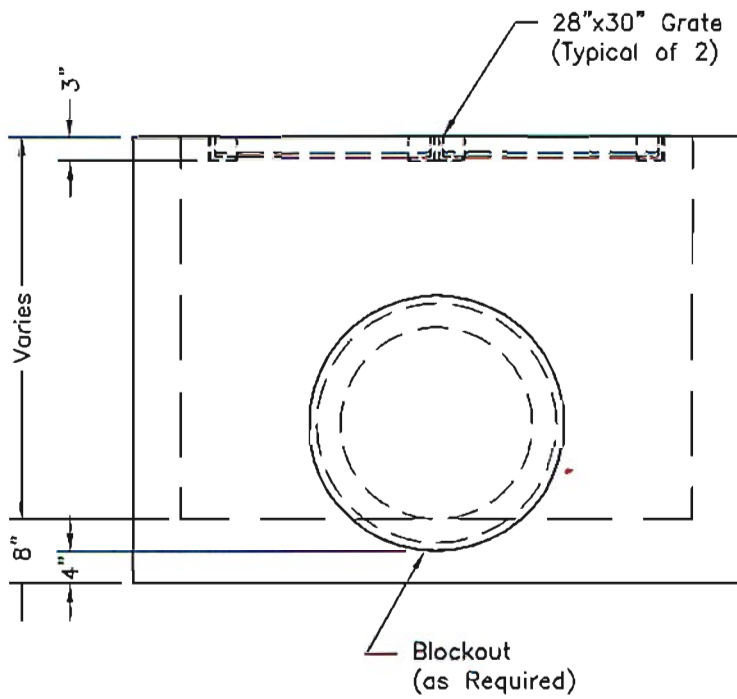
Copyright © 2003 Oldcastle Precast, Inc.



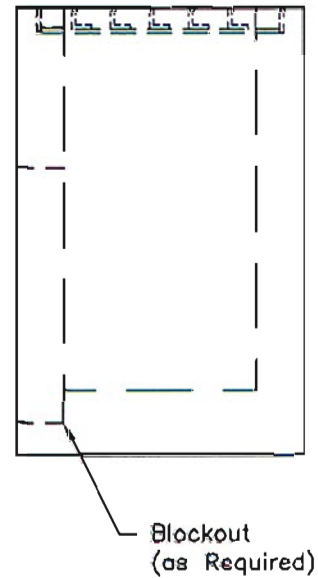
PLAN VIEW

SPECIFICATIONS:

1. Concrete: Has a Design Strength of 5,000 psi at 28 Days.
2. Steel Reinforcement: ASTM A-615, Grade 60.
3. Loading: Designed for H20 Loading.
4. C.I. Castings: ASTMA-48, Class 30/35.



ELEVATION A-A



ELEVATION B-B

SCALE: 1/2"=1'-0"



1100 Heritage Parkway, Mansfield, Texas 76063
Phone: 817.453.1054 Fax: 817.453.4007

TXDOT-GI-TYPE C-2

FILE NAME: 260DISTXDOT-GI-TYPEC-2_B.dwg

ISSUE DATE: January, 2003

www.oldcastleprecast.com

**2'-0" x 5'-4" x Varies I.D.
Type "C" - 2 Grate Inlet
TxDOT**

Copyright © 2003 Oldcastle Precast, Inc.