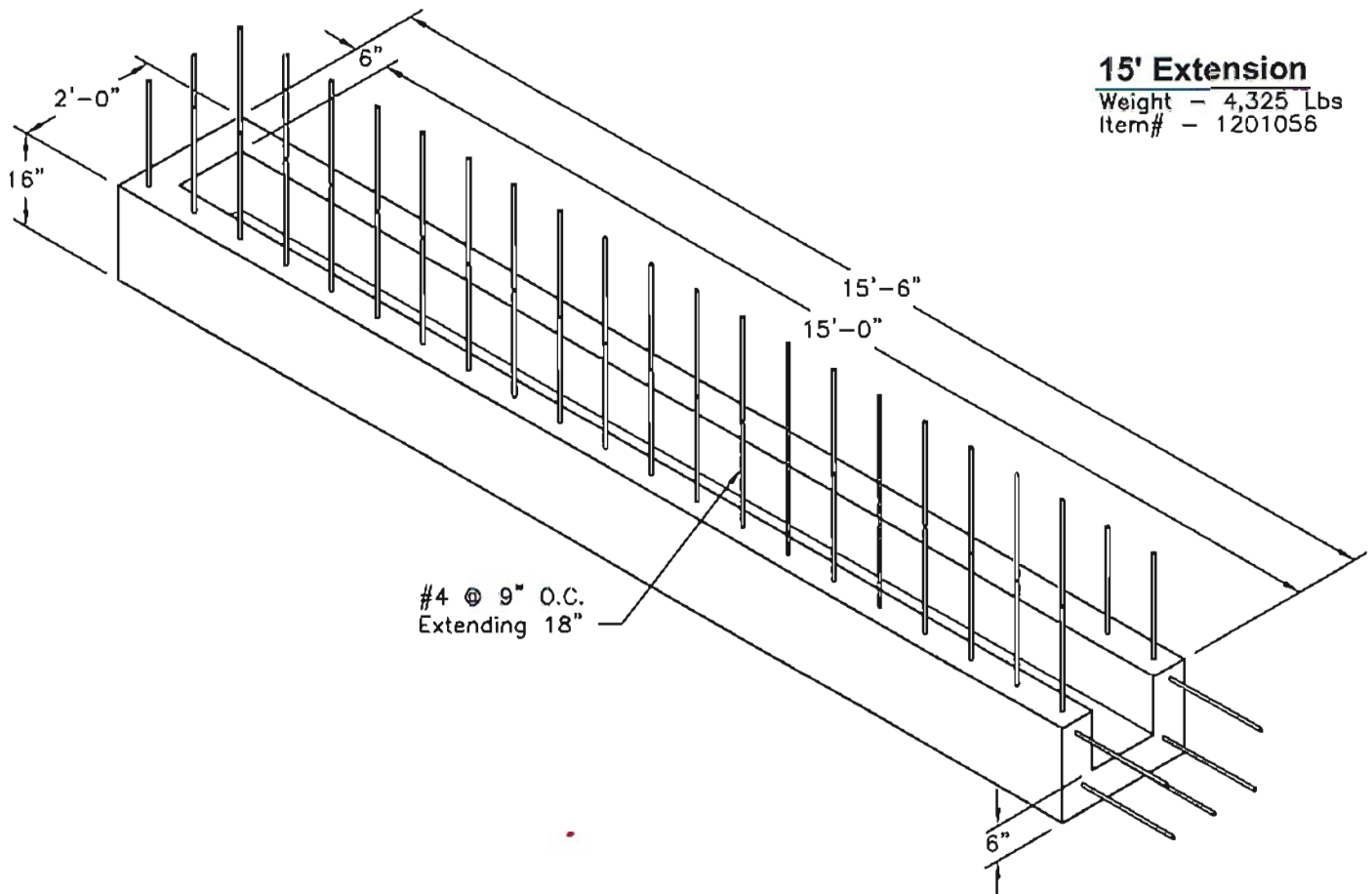


**15' Extension**

Weight - 4,325 Lbs  
Item# - 1201056



#4 @ 9" O.C.  
Extending 18"

SCALE: 3/8"=1'-0"



1100 Heritage Parkway, Mansfield, Texas 76063  
Phone: 817.453.1054 Fax: 817.453.4007

**TXDOT-CIX-TYPE E-15ST1**

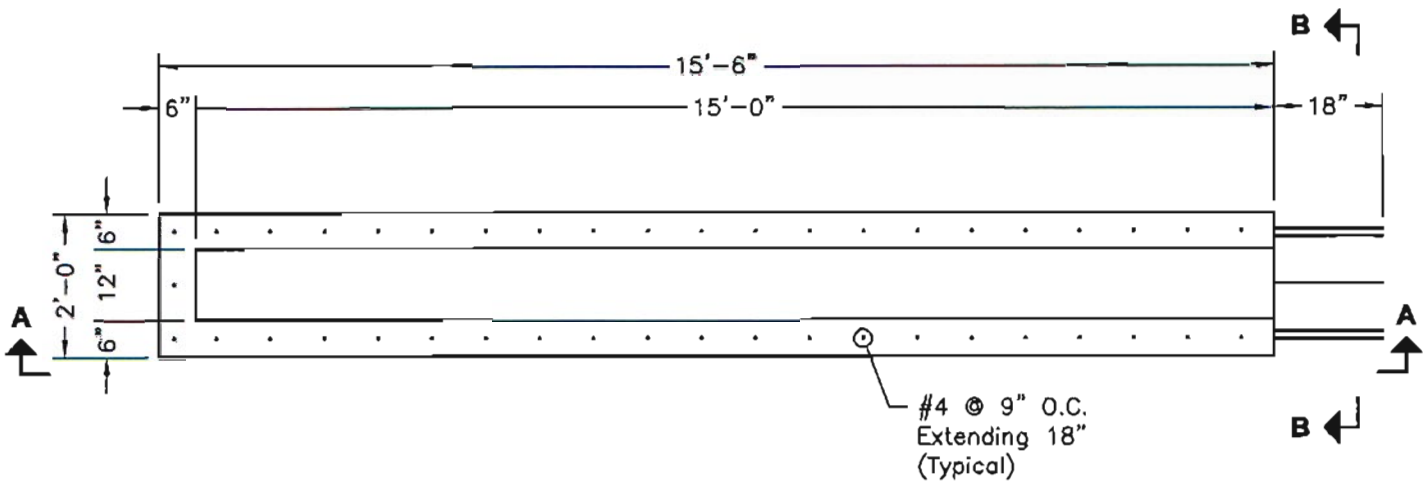
FILE NAME: 2600ITXDOT-CIX-TYPEE-15ST1\_F.dwg

ISSUE DATE: January, 2003

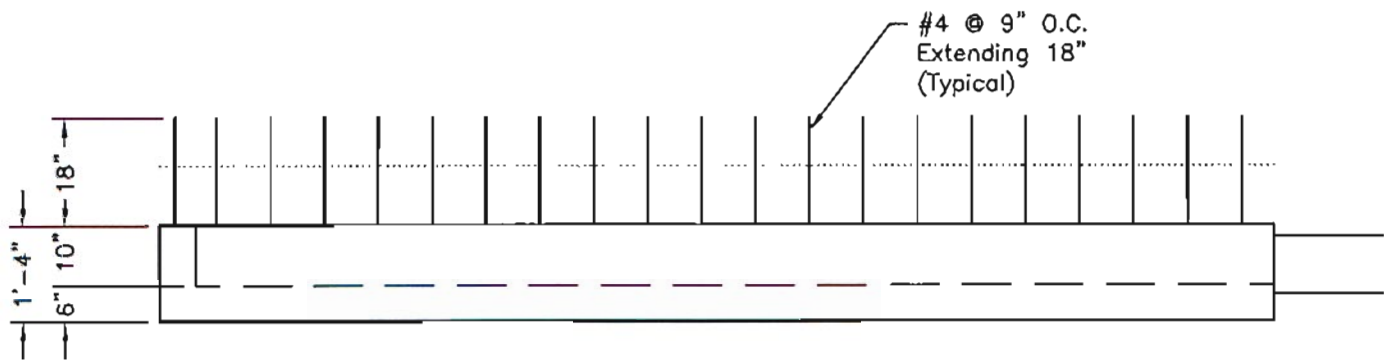
[www.oldcastleprecast.com](http://www.oldcastleprecast.com)

**1'-0" x 15'-0" x 10" I.D.**  
**Curb Inlet Extension Type "E"**  
**TxDOT - Stage 1**

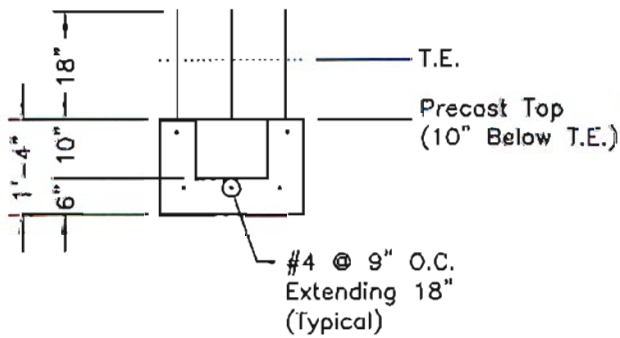
Copyright © 2003 Oldcastle Precast, Inc.



**PLAN VIEW**



**ELEVATION A-A**



**ELEVATION B-B**

**SPECIFICATIONS:**

1. Concrete: Has a Design Strength of 5,000 psi at 28 Days.
2. Steel Reinforcement: ASTM A-615, Grade 60.
3. Loading: Designed for H2O Loading.

SCALE: 3/8"=1'-0"



1100 Heritage Parkway, Mansfield, Texas 76063  
Phone: 817.453.1054 Fax: 817.453.4007

**TXDOT-CIX-TYPE E-15ST1**

FILE NAME: 260DIITXDOT-CIX-TYPEE-15ST1\_B.dwg

ISSUE DATE: January, 2003

[www.oldcastleprecast.com](http://www.oldcastleprecast.com)

**1'-0" x 15'-0" x 10" I.D.  
Curb Inlet Extension Type "E"  
TxDOT - Stage 1**

Copyright © 2003 Oldcastle Precast, Inc.