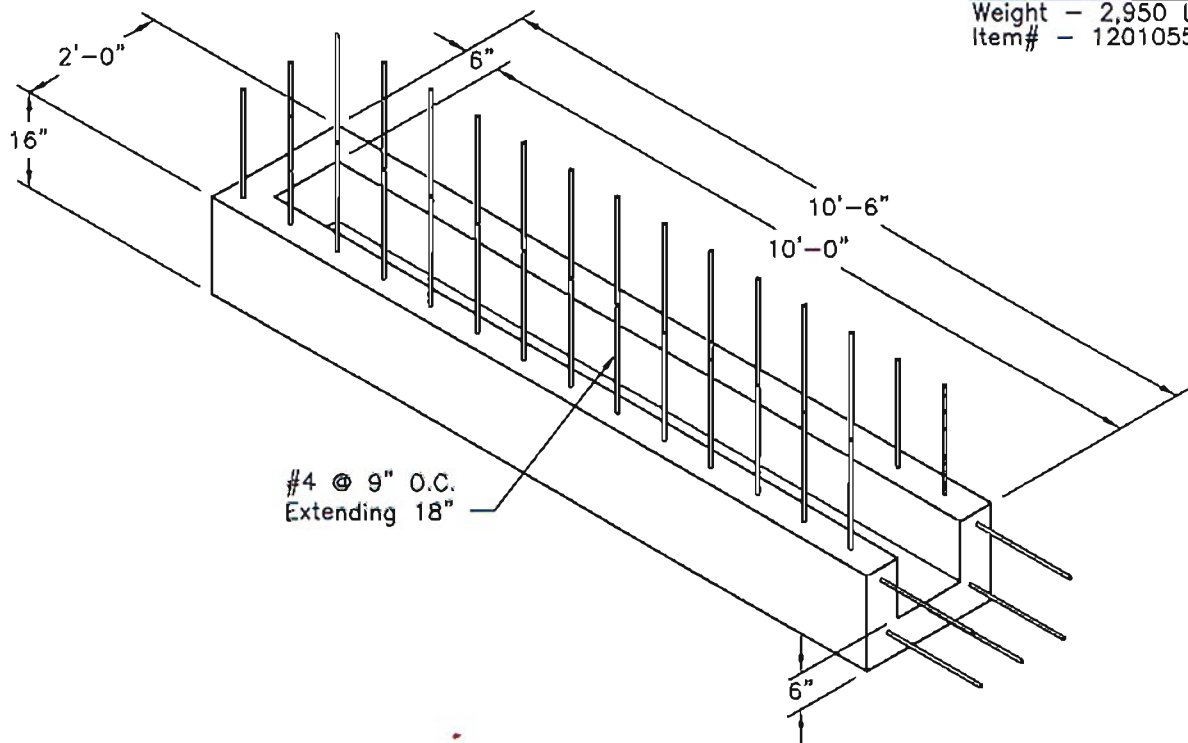


10' Extension

Weight - 2,950 Lbs
Item# - 1201055



#4 @ 9" O.C.
Extending 18"

SCALE: 3/8"=1'-0"



1100 Heritage Parkway, Mansfield, Texas 76083
Phone: 817.453.1054 Fax: 817.453.4007

TXDOT-CIX-TYPE E-10ST1

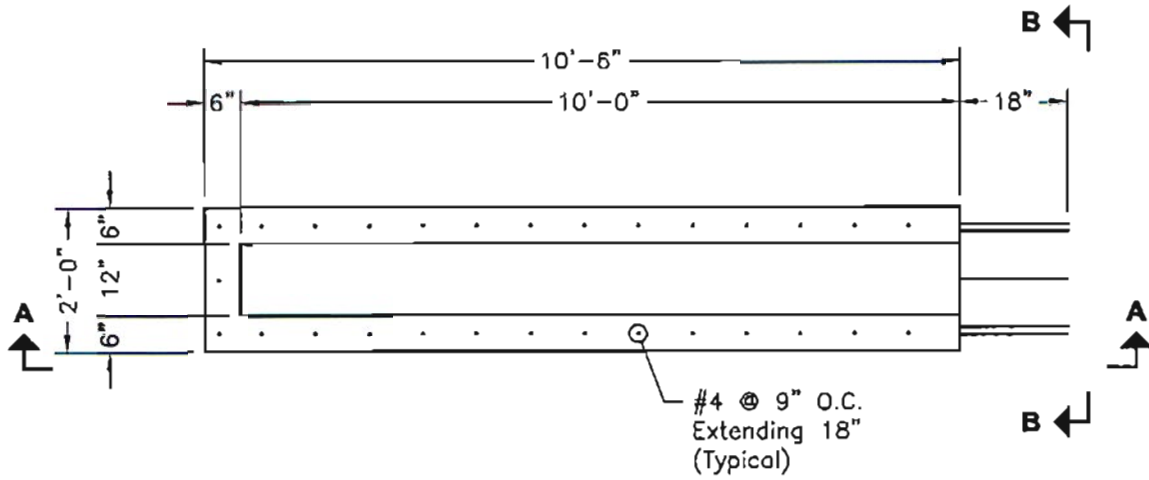
FILE NAME: 260DINTXDOT-CIX-TYPEE-10ST1.F.dwg

ISSUE DATE: January, 2003

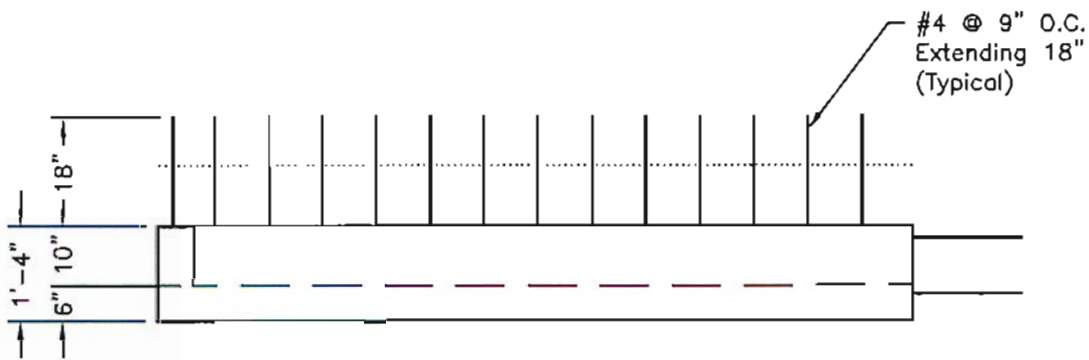
www.oldcastleprecast.com

1'-0" x 10'-0" x 10" I.D.
Curb Inlet Extension Type "E"
TxDOT - Stage 1

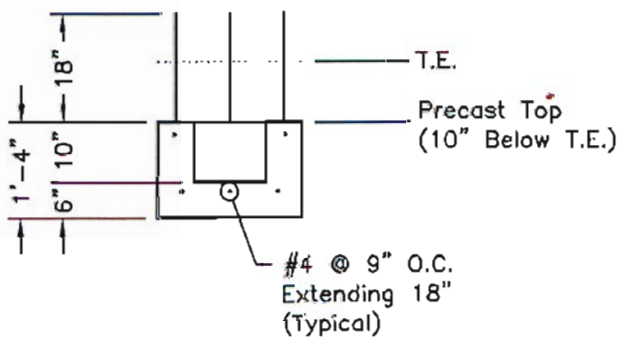
Copyright © 2003 Oldcastle Precast, Inc.



PLAN VIEW



ELEVATION A-A



ELEVATION B-B

SPECIFICATIONS:

1. Concrete: Has a Design Strength of 5,000 psi at 28 Days.
2. Steel Reinforcement: ASTM A-615, Grade 60.
3. Loading: Designed for H20 Loading.

SCALE: 3/8"=1'-0"



1100 Heritage Parkway, Mansfield, Texas 76083
Phone: 817.453.1054 Fax: 817.453.4007

TXDOT-CIX-TYPE E-10ST1

FILE NAME: 260DITXDOT-CIX--TYPE E-10ST1_B.dwg

ISSUE DATE: January, 2003

www.oldcastleprecast.com

**1'-0" x 10'-0" x 10" I.D.
Curb Inlet Extension Type "E"
TxDOT - Stage 1**

Copyright © 2003 Oldcastle Precast, Inc.