

**CURB INLET  
TYPE II & V STAGE 1**

SCALE: 3/8"=1'-0"



1100 Heritage Parkway, Mansfield, Texas 76063  
Phone: 817.453.1054 Fax: 817.453.4007

**TXDOT-CI-TYPE II & V-ST1**

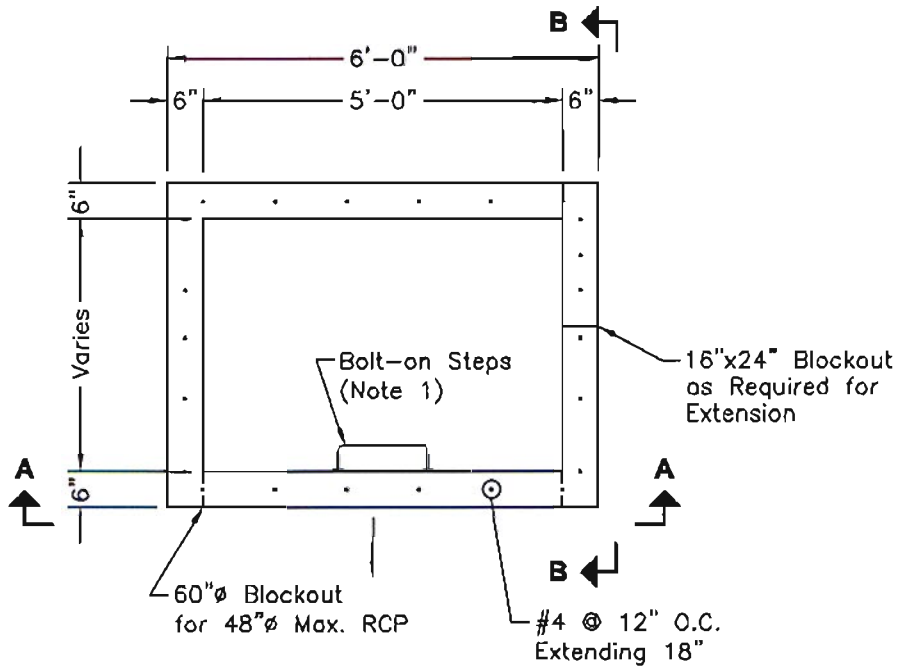
FILE NAME: 260DITXDOT-CI-TYPEII&V-ST1\_F.dwg

ISSUE DATE: January, 2003

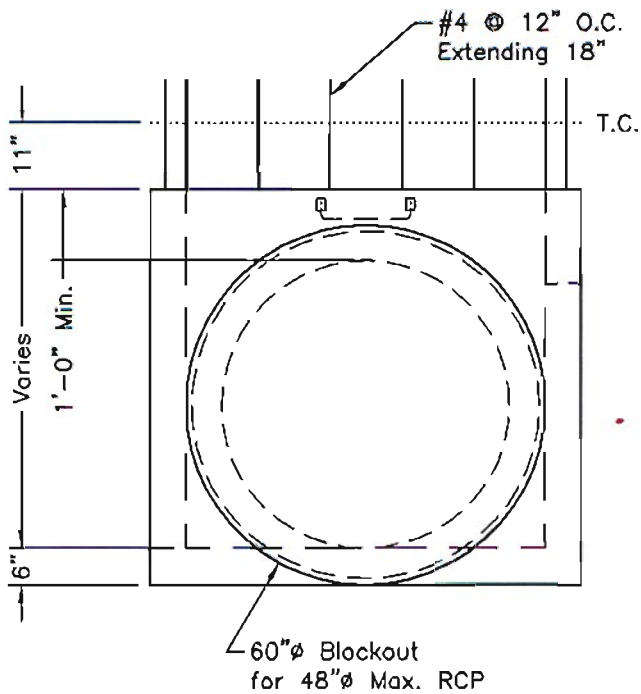
[www.oldcastleprecast.com](http://www.oldcastleprecast.com)

**Varies x 5'-0" x Varies I.D.  
Type "II" & "V" Curb Inlet - Stage 1  
TXDOT**

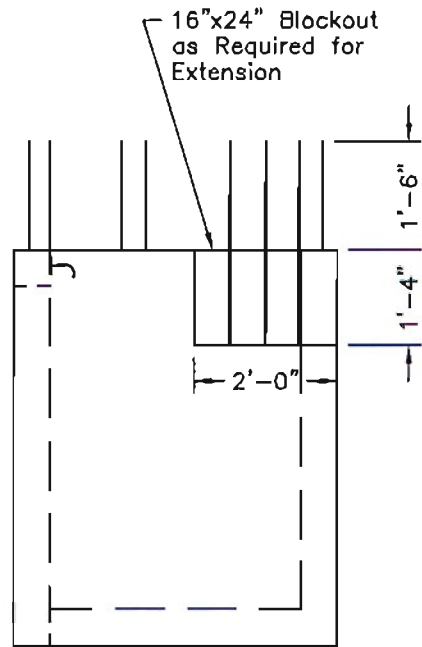
Copyright © 2003 Oldcastle Precast, Inc.



**PLAN VIEW**



**ELEVATION A-A**



**ELEVATION B-B**

SCALE: 3/8"=1'-0"

**SPECIFICATIONS:**

1. Concrete: Has a Design Strength of 5,000 psi at 28 Days.
2. Steel Reinforcement: ASTM A-615, Grade 60.
3. Loading: Designed for H20 Loading.

**GENERAL NOTES:**

1. Steps, Spaced 14", shall be Provided and Installed in all Inlets where the Distance from the Top of Curb to Flow Line Exceeds 5'-0".



**TXDOT-CI-TYPE II & V-ST1**

Varies x 5'-0" x Varies I.D.

FILE NAME: 260DITXDOT-CI-TYPEII&V-ST1\_B.dwg

**Type "II" & "V" Curb Inlet - Stage 1  
TXDOT**

ISSUE DATE: January, 2003

[www.oldcastleprecast.com](http://www.oldcastleprecast.com)

Copyright © 2003 Oldcastle Precast, Inc.

1100 Heritage Parkway, Mansfield, Texas 76063  
Phone: 817.453.1054 Fax: 817.453.4007