

**CURB INLET  
TYPE I STAGE 1**

SCALE: 3/8"=1'-0"



1100 Heritage Parkway, Mansfield, Texas 76063  
Phone: 817.453.1054 Fax: 817.453.4007

**TXDOT-CI-TYPE I-ST1**

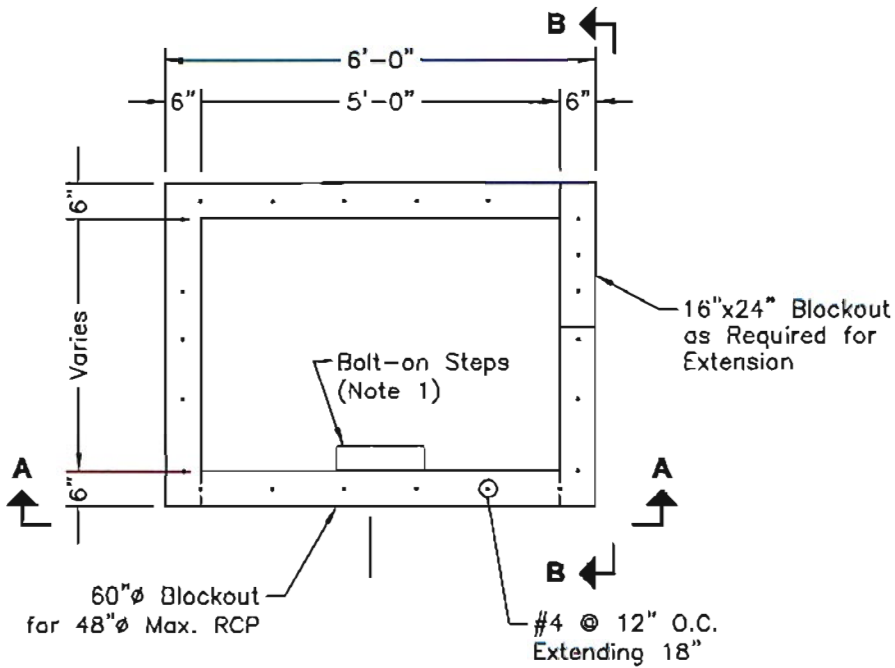
FILE NAME: 2600\TXDOT-CI-TYPEI-ST1\_F.dwg

ISSUE DATE: January, 2003

[www.oldcastleprecast.com](http://www.oldcastleprecast.com)

**Varies x 5'-0" x Varies I.D.  
Curb Inlet Type "I" - Stage 1  
TxDOT**

Copyright © 2003 Oldcastle Precast, Inc.



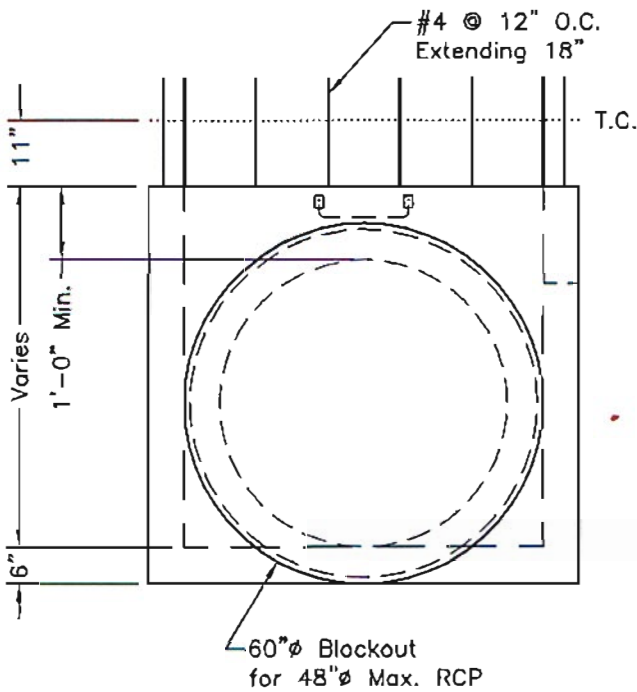
**PLAN VIEW**

**SPECIFICATIONS:**

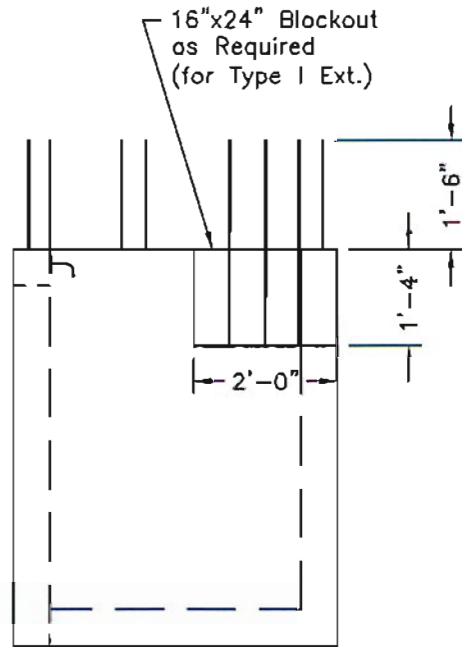
1. Concrete: Has a Design Strength of 5,000 psi at 28 Days.
2. Steel Reinforcement: ASTM A-615, Grade 60.
3. Loading: Designed for H2O Loading.

**GENERAL NOTES:**

1. Steps, Spaced 14", shall be Provided and Installed in all inlets where the Distance from the Top of Curb to Flow Line Exceeds 4'-0".



**ELEVATION A-A**



**ELEVATION B-B**

SCALE: 3/8" = 1'-0"



1100 Heritage Parkway, Mansfield, Texas 76063  
Phone: 817.453.1054 Fax: 817.453.4007

**TXDOT-CI-TYPE I-ST1**

FILE NAME: 260DITXDOT-CI-TYPEI-ST1\_B.dwg

ISSUE DATE: January, 2003

[www.oldcastleprecast.com](http://www.oldcastleprecast.com)

**Varies x 5'-0" x Varies I.D.  
Curb Inlet Type "I" - Stage 1  
TxDOT**

Copyright © 2003 Oldcastle Precast, Inc.