

CURB INLET
TYPE C TOP
2225#

CURB INLET
TYPE C BASE

SCALE: 3/8" = 1'-0"



1100 Heritage Parkway, Mansfield, Texas 76063
Phone: 817.453.1054 Fax: 817.453.4007

TXDOT-CI-TYPE C

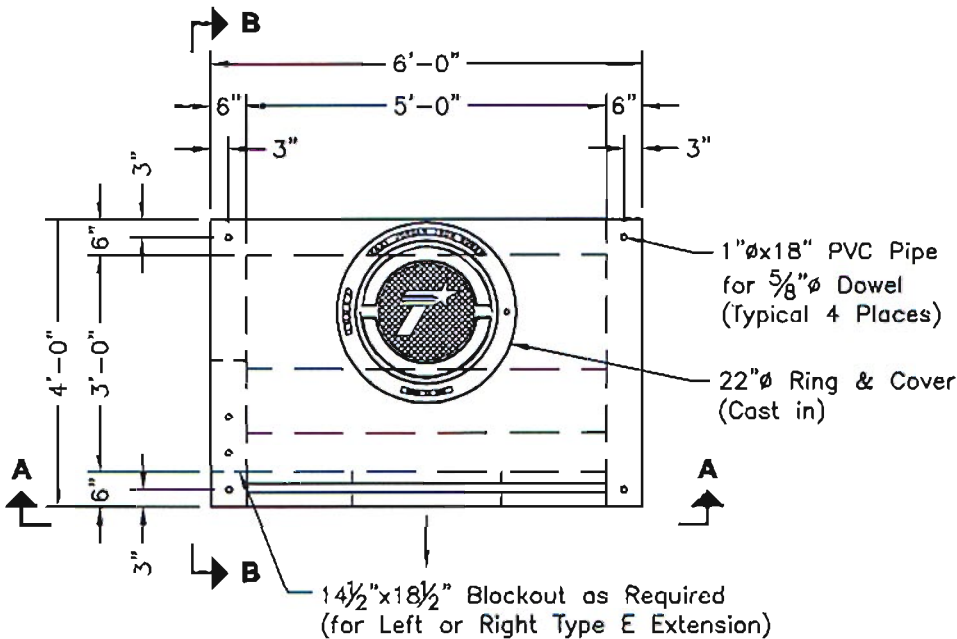
FILE NAME: 260DITXDOT-CI-TYPEC_F.dwg

ISSUE DATE: January, 2003

www.oldcastleprecast.com

3'-0" x 5'-0" x Varies I.D.
Type "C" Curb Inlet
TXDOT

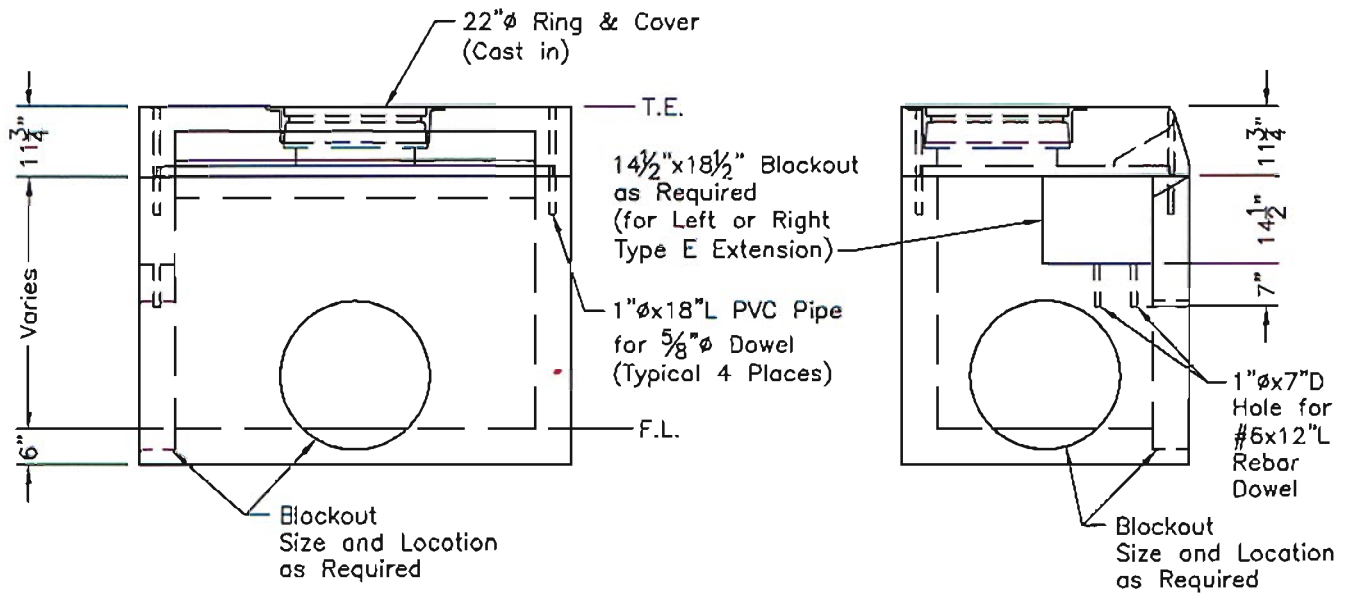
Copyright © 2003 Oldcastle Precast, Inc.



PLAN VIEW

SPECIFICATIONS:

1. Concrete: Has a Design Strength of 5,000 psi at 28 Days.
2. Steel Reinforcement: ASTM A-615, Grade 60.
3. Loading: Designed for H20 Loading.
4. C.I. Castings: ASTMA-48, Class 30/35.



ELEVATION A-A

ELEVATION B-B

SCALE: 3/8" = 1'-0"



1100 Heritage Parkway, Mansfield, Texas 78083
Phone: 817.453.1054 Fax: 817.453.4007

TXDOT-CI-TYPE C

FILE NAME: 260DITXDOT-CI-TYPEC_B.dwg

ISSUE DATE: January, 2003

www.oldcastleprecast.com

**3'-0" x 5'-0" x Varies I.D.
Type "C" Curb Inlet
TxDOT**

Copyright © 2003 Oldcastle Process, Inc.