

**CURB INLET
TYPE C STAGE 1**

SCALE: 3/8"=1'-0"



1100 Heritage Parkway, Mansfield, Texas 76063
Phone: 817.453.1054 Fax: 817.453.4007

TXDOT-CI-TYPE C-ST1

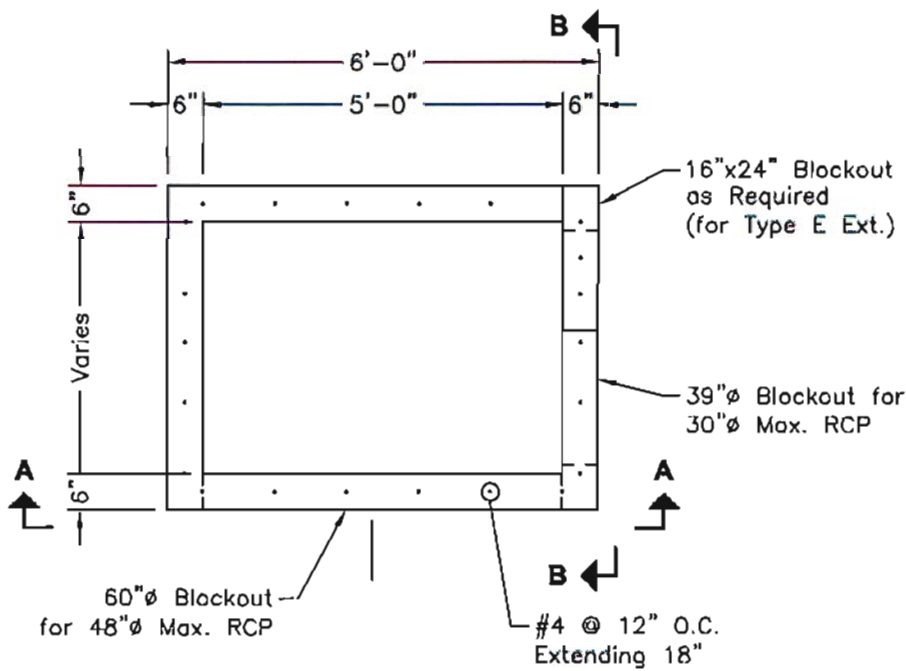
FILE NAME: 260DITXDOT-CI-TYPEC-ST1_F.dwg

ISSUE DATE: January, 2003

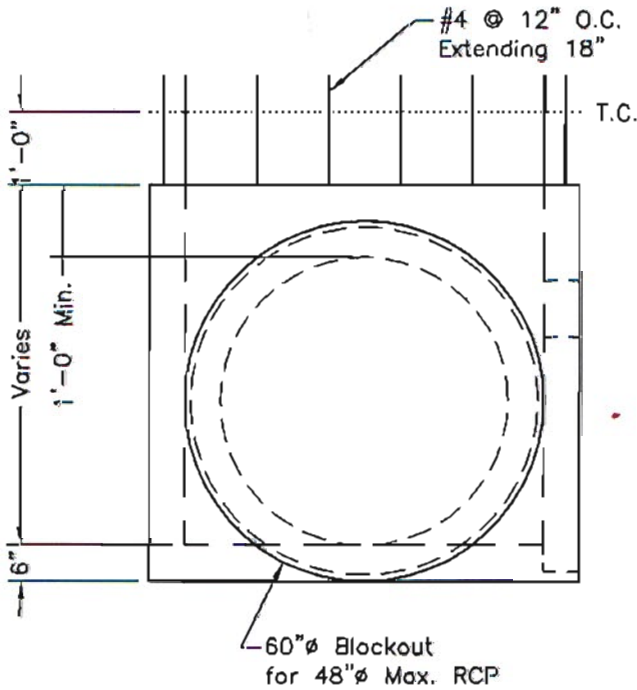
www.oldcastleprecast.com

**Varies x 5'-0" x Varies I.D.
Type "C" Curb Inlet - Stage 1
TxDOT**

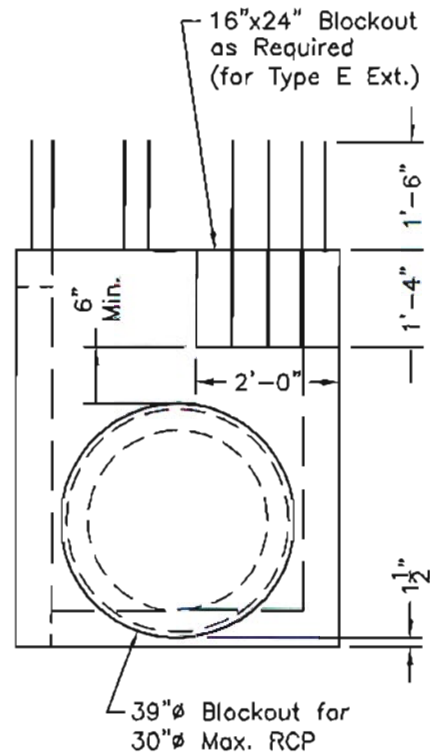
Copyright © 2003 Oldcastle Precast, Inc.



PLAN VIEW



ELEVATION A-A



ELEVATION B-B

SCALE: 3/8" = 1'-0"

SPECIFICATIONS:

1. Concrete: Has a Design Strength of 5,000 psi at 28 Days.
2. Steel Reinforcement: ASTM A-615, Grade 60.
3. Loading: Designed for H2O Loading.



1100 Heritage Parkway, Mansfield, Texas 76063
Phone: 817.453.1054 Fax: 817.453.4007

TXDOT-CI-TYPE C-ST1

FILE NAME: 260DITXDOT-CI-TYPE C-ST1_B.dwg

ISSUE DATE: January, 2003

www.oldcastleprecast.com

**Varies x 5'-0" x Varies I.D.
Type "C" Curb Inlet - Stage 1
TxDOT**

Copyright © 2003 Oldcastle Precast, Inc.