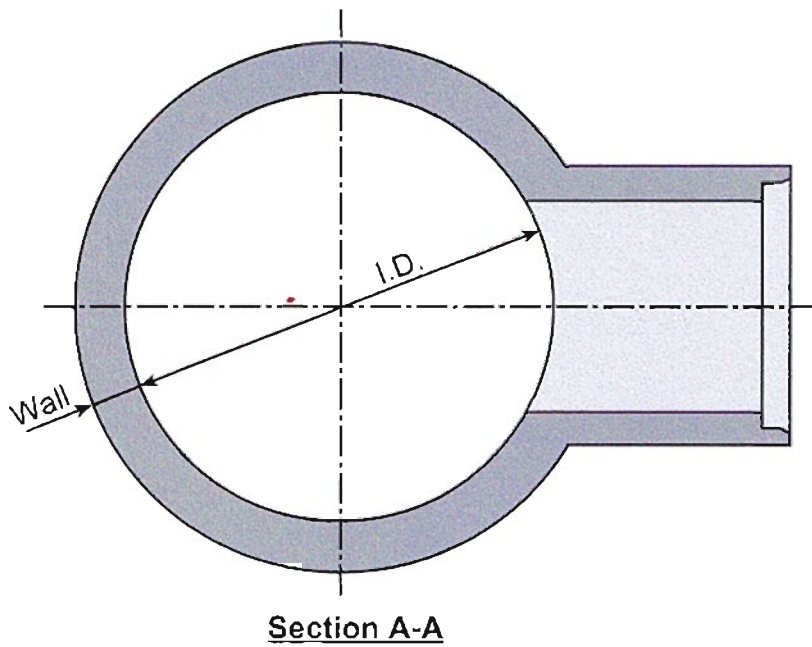
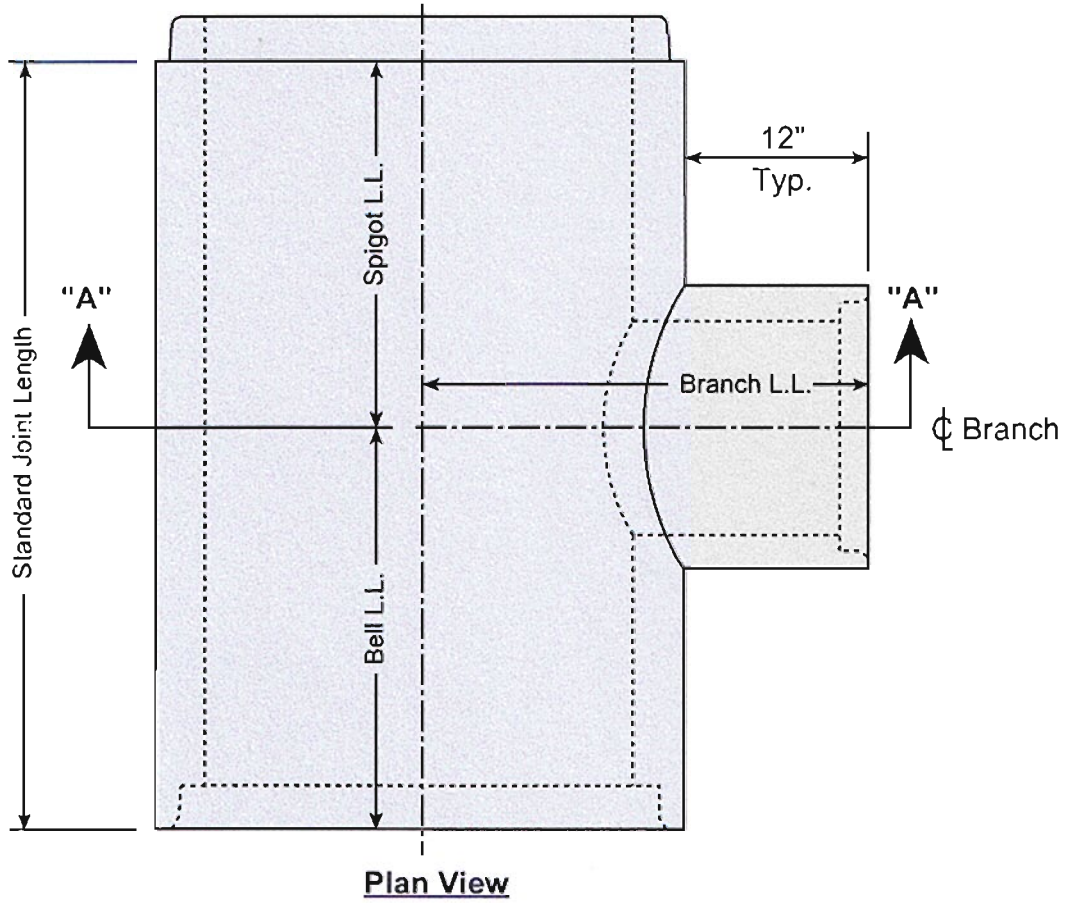


# Reinforced Concrete Pipe



-No Scale-  
All dimensions subject to allowable  
specification tolerances.