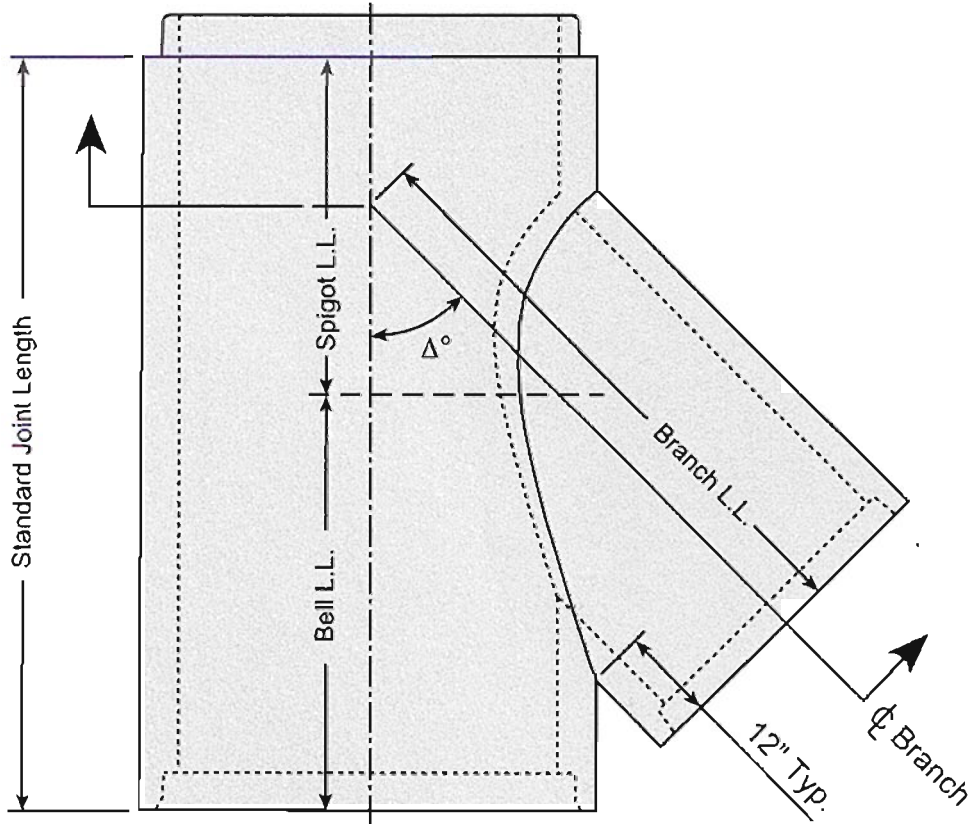
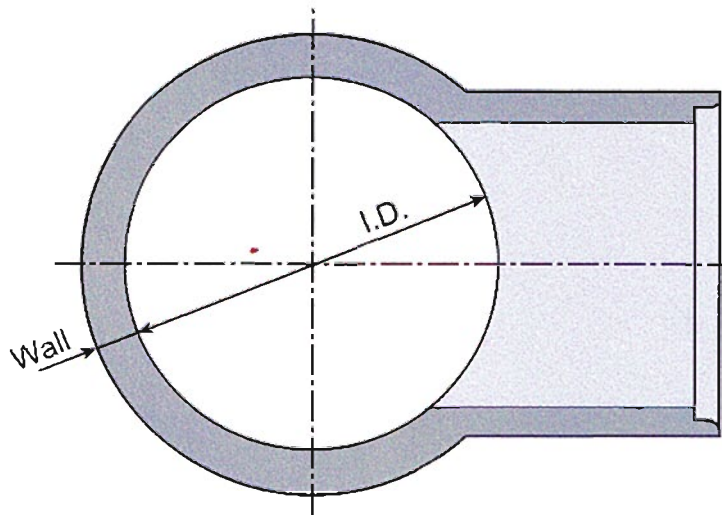


Reinforced Concrete Pipe



Plan View



Approximate Section

-No Scale-
All dimensions subject to allowable
specification tolerances.