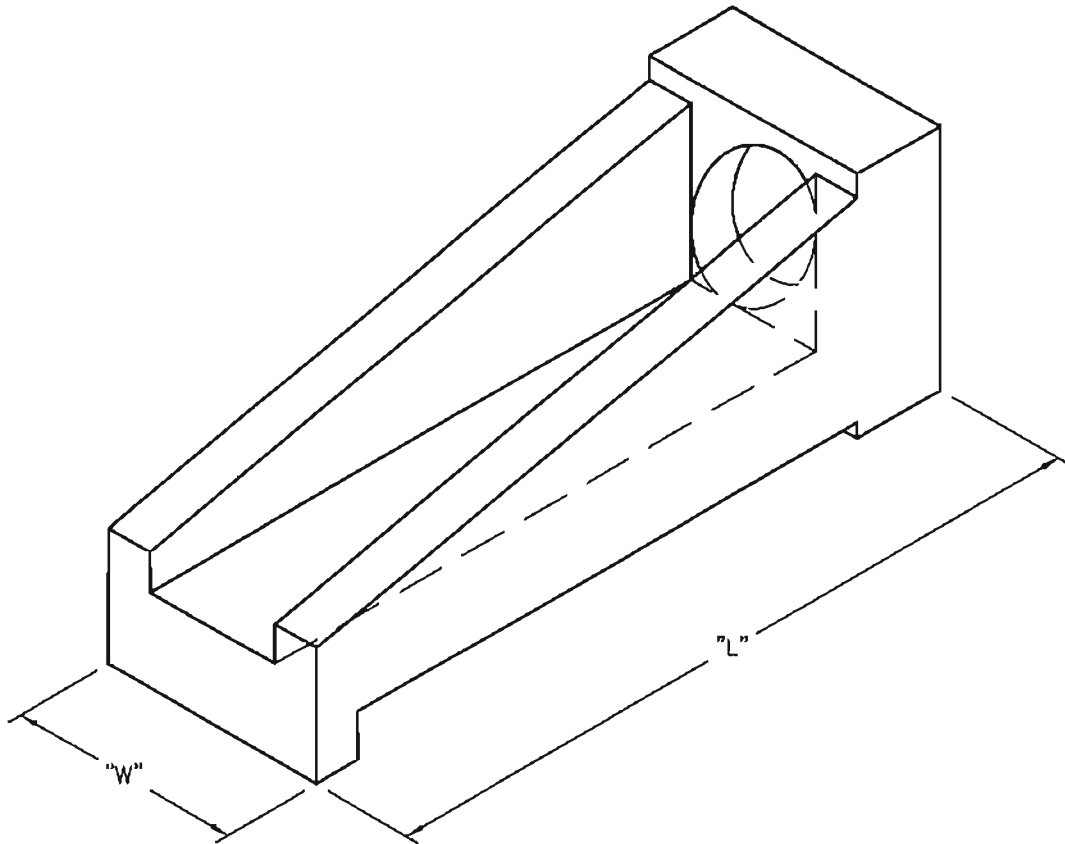


**Safety-End-Treatment**

Variable (See Chart)



SCALE: NONE



1100 Heritage Parkway, Mansfield, Texas 78063  
Phone: 817.453.1054 Fax: 817.453.4007

**SET**

FILE NAME: 260DPTSET\_F.dwg

ISSUE DATE: January, 2003

[www.oldcastleprecast.com](http://www.oldcastleprecast.com)

**Safety-End-Treatment**

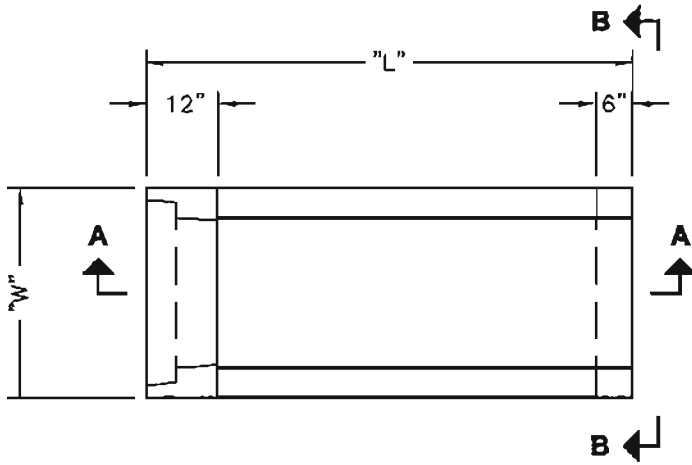
Copyright © 2002 Oldcastle Precast, Inc.

**SPECIFICATIONS:**

1. Concrete: Has a Design Strength of 5,000 psi at 28 Days.
2. Steel Reinforcement: ASTM A-615, Grade 60 or ASTM A-497 Welded Wire Fabric
3. Loading: Designed for H20 Loading.
4. C.I. Castings: ASTM A48, Class 30/35.

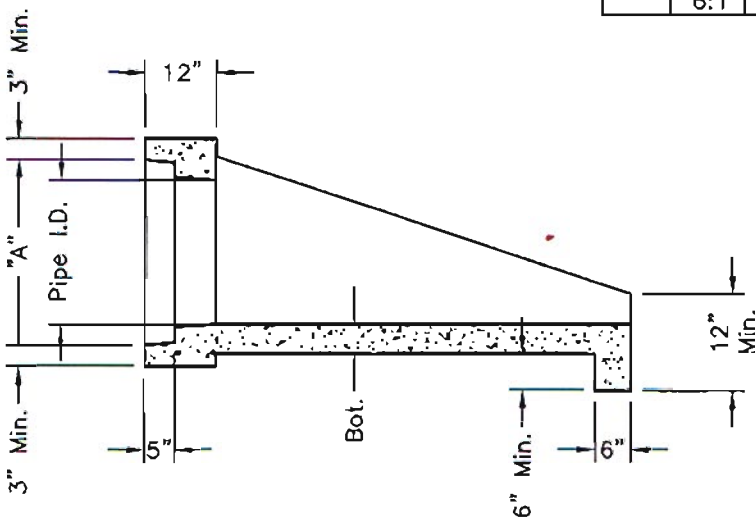
**GENERAL NOTES:**

1. Class "C" Concrete.
2. All Exposed Corners shall be Chamfered  $\frac{3}{4}$ "

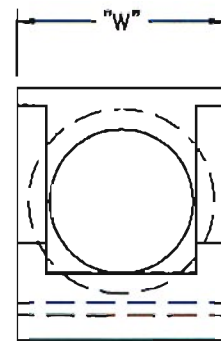


**Plan View**

Pipe I.D.	Slope	Weight	W	L	Wall	Bot.	A	Item#
12"	6:1	2327 Lbs.	26"	84"	5"	5"	18"	1223126
15"	6:1	2605 Lbs.	26"	84"	5"	5"	20 $\frac{1}{2}$ "	1223020
18"	3:1	1750 Lbs.	30"	55"	5"	5"	24"	1223040
	4:1	2050 Lbs.	30"	68"	5"	5"	24"	1223060
18"	6:1	2800 Lbs.	30"	98"	5"	5"	24"	1223100
	3:1	3125 Lbs.	35"	81"	5"	5"	31"	1223140
24"	4:1	3850 Lbs.	35"	104"	5"	5"	31"	1223160
	6:1	4975 Lbs.	35"	150"	5"	5"	31"	1223200
30"	3:1	5225 Lbs.	46"	97"	6"	6"	38 $\frac{1}{2}$ "	1223240
	4:1	6500 Lbs.	46"	125"	6"	6"	38 $\frac{1}{2}$ "	1223260
30"	6:1	9200 Lbs.	46"	186"	6"	6"	38 $\frac{1}{2}$ "	1223280



**SECTION A-A**



**ELEVATION B-B**

SCALE: 3/8"=1'-0"



1100 Heritage Parkway, Mansfield, Texas 76063  
Phone: 817.453.1054 Fax: 817.453.4007

**SET**

FILE NAME: 260DPTSET\_B.dwg

ISSUE DATE: January, 2003

[www.oldcastleprecast.com](http://www.oldcastleprecast.com)

**Safety-End-Treatment**

Copyright © 2002 Oldcastle Precast, Inc.