

Type "C"
Safety-End-Treatment
 Variable (See Chart)

SCALE: NONE



1100 Heritage Parkway, Mansfield, Texas 76063
 Phone: 817.453.1054 Fax: 817.453.4007

TYPE-C-SET

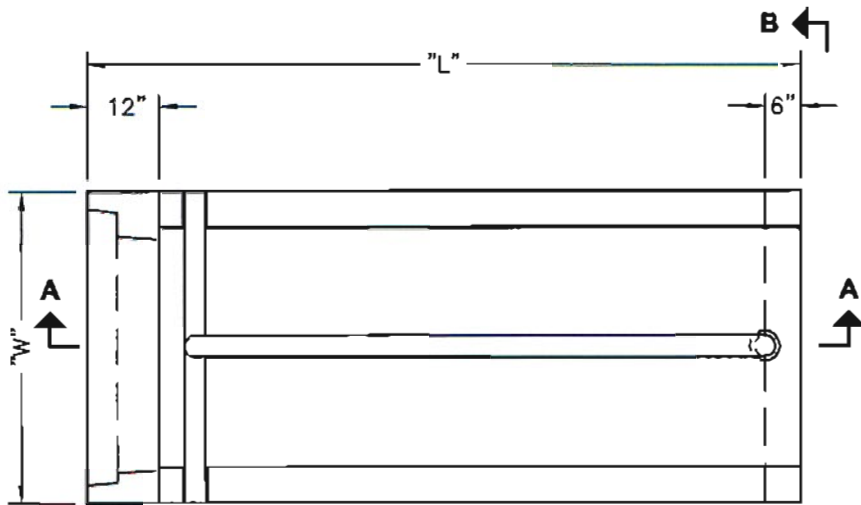
FILE NAME: 260DPTYP-C-SET_F.dwg

ISSUE DATE: January, 2003

www.oldcastleprecast.com

36" & 42" Type "C"
Safety-End-Treatment
Variable Slopes

Copyright © 2002 Oldcastle Precast, Inc.



Plan View

SPECIFICATIONS:

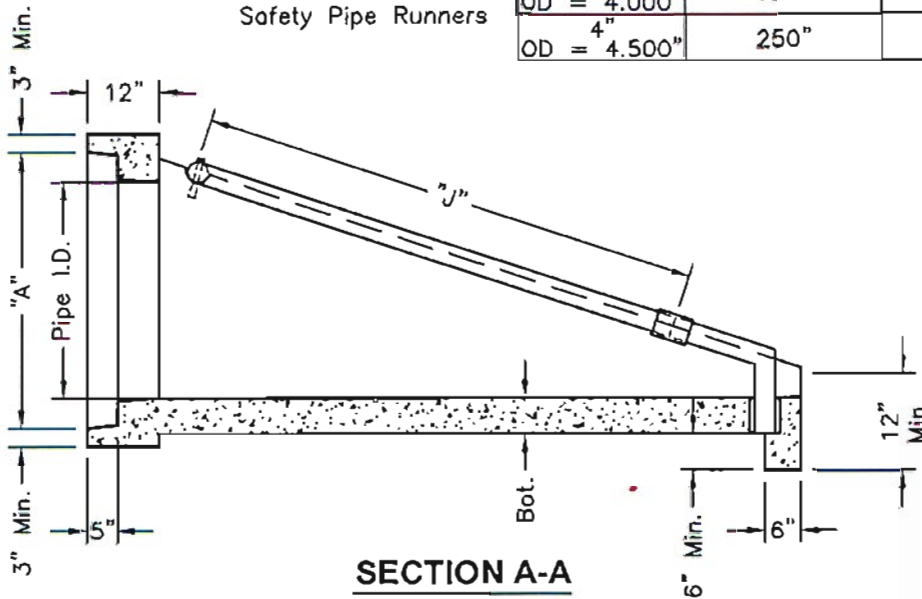
1. Concrete: Has a Design Strength of 5,000 psi at 28 Days.
2. Steel Reinforcement: ASTM A-615, Grade 60 or ASTM A-497 Welded Wire Fabric.
3. Loading: Designed for H20 Loading.
4. C.I. Castings: ASTM A48, Class 30/35.

GENERAL NOTES:

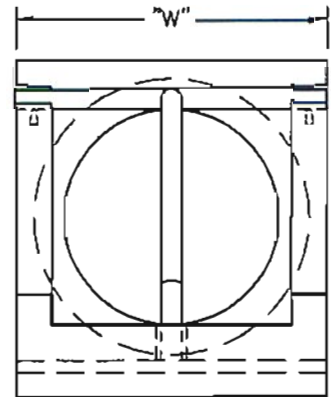
1. Class "C" Concrete.
2. All Exposed Corners shall be Chamfered $\frac{3}{4}$ "

Anchor Pipe may be Above Materials and shall have an O.D. of $\frac{1}{4}$ " to $\frac{5}{8}$ " Less than the I.D. of the Safety Pipe Runners

Maximum Pipe "J" for a Given Pipe Size and Yield			
Yield Norm. Dia.	35 ksi ASTM A53 Type E & S Gr. B	42 ksi ASTM A500 Gr. B	52 ksi API5LX52
OD = $3\frac{1}{2}$ "	186"	223"	276"
OD = 4"	250"	300"	361"



SECTION A-A



ELEVATION B-B

Pipe I.D.	Slope	Weight	W	L	J	Wall	Bot.	A	B	Item#
36"	3:1	7,000 Lbs.	52"	119"	96"	6"	6"	46"	4" O.D.	1223320
	4:1	8,850 Lbs.	52"	154"	130"	6"	6"	46"	4" O.D.	1223360
	6:1	12,500 Lbs.	52"	228"	203"	6"	6"	46"	4 1/2" O.D.	1223400
42"	3:1	10,875 Lbs.	61"	142"	117"	8"	6"	53"	4" O.D.	1223480
	4:1	13,750 Lbs.	61"	186"	156"	8"	8"	53"	4" O.D.	1223520
	6:1	19,750 Lbs.	61"	276"	246"	8"	6"	53"	4 1/2" O.D.	1223560

SCALE: $\frac{3}{8}$ " = 1'-0"



1100 Heritage Parkway, Mansfield, Texas 76063
Phone: 817.453.1054 Fax: 817.453.4007

TYPE-C-SET

FILE NAME: 260DPTTYP-C-SET_B.dwg

ISSUE DATE: January, 2003

www.oldcastleprecast.com

**36" & 42" Type "C"
Safety-End-Treatment
Variable Slopes**

Copyright © 2002 Oldcastle Precast, Inc.