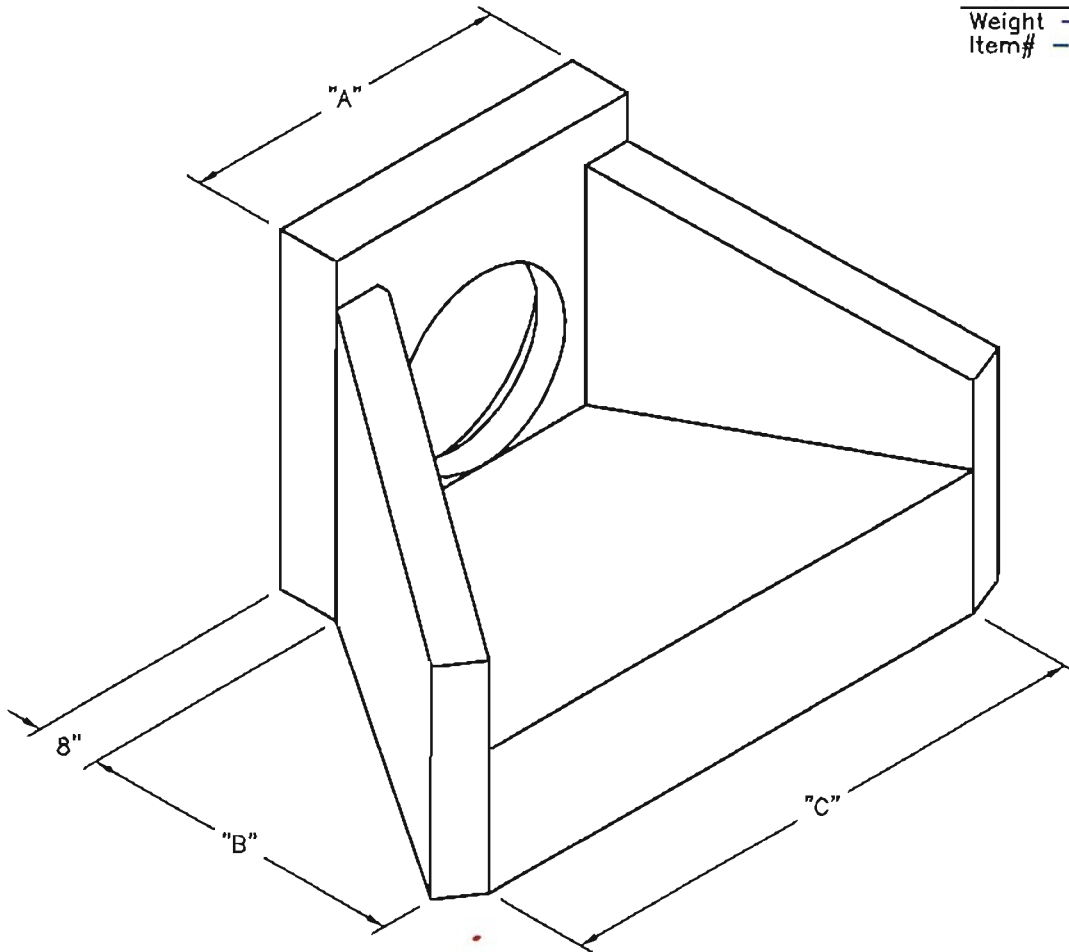


Headwall

Weight - See Table
Item# - See Table



SCALE: NONE



1100 Heritage Parkway, Mansfield, Texas 76083
Phone: 817.453.1054 Fax: 817.453.4007

HEADWALL

FILE NAME: 260DBHHEADWALL_F.dwg

ISSUE DATE: January, 2003

www.oldcastleprecast.com

18", 24" & 30"
Headwall

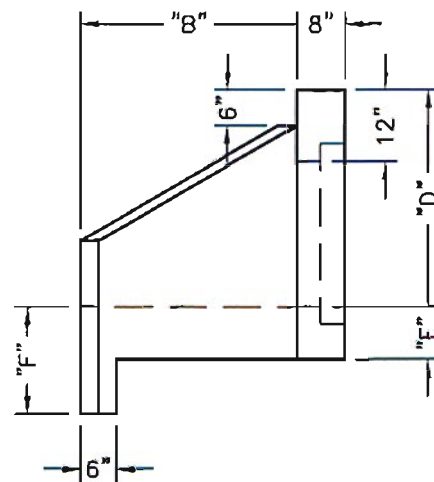
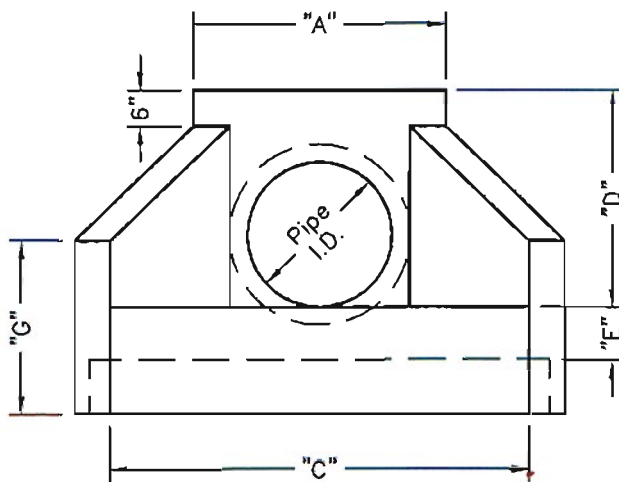
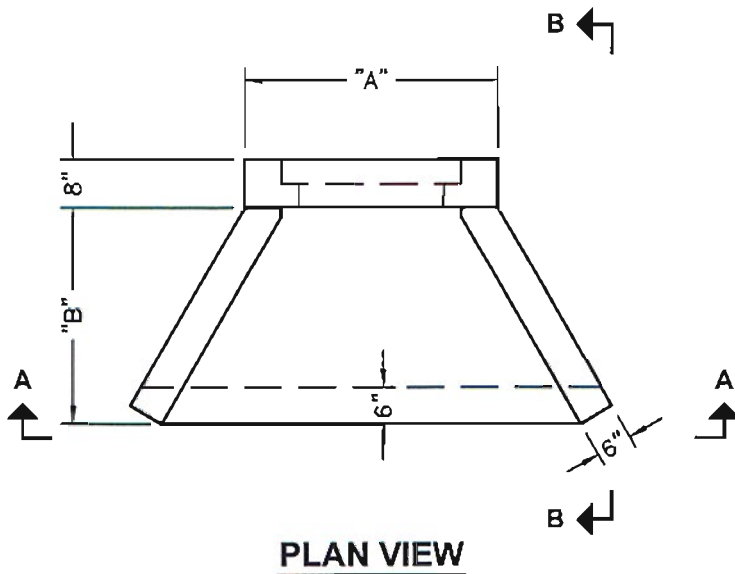
Copyright © 2002 Oldcastle Precast, Inc.

SPECIFICATIONS:

1. Concrete: Has a Design Strength of 5,000 psi at 28 Days.
2. Steel Reinforcement: ASTM A-615, Grade 60.
3. Loading: Designed for H2O Loading.
4. C.I. Castings: ASTM A-48, Class 30/35.

GENERAL NOTES:

1. All Edges Chomfered $\frac{3}{4}$ ".
2. Opening Diameter can be Modified to Fit Pipe Sizes not Shown.



Headwall Dimensions									
Pipe I.D.	"A"	"B"	"C"	"D"	"E"	"F"	"G"	Weight	Item#
18"	35"	24"	48"	30"	7"	18"	30"	2170 Lbs.	1221020
24"	42"	36"	69"	36"	9"	18"	29"	4000 Lbs.	1221040
30"	49"	60"	111"	41"	7"	16"	27"	4965 Lbs.	1221060

SCALE: 3/8"=1'-0"



1100 Heritage Parkway, Mansfield, Texas 76063
Phone: 817.453.1054 Fax: 817.453.4007

HEADWALL

FILE NAME: 260DBHHEADWALL_B.dwg

ISSUE DATE: January, 2003

www.oldcastleprecast.com

**18", 24" & 30"
Headwall**

Copyright © 2002 Oldcastle Precast, Inc